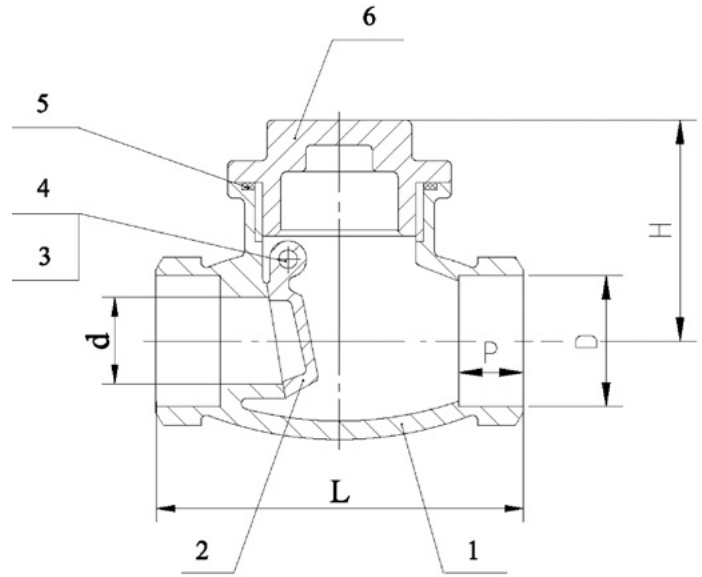




Screwed Swing Pattern Check Valve



- ASTM A351 CF8M 316 Stainless Steel construction, 316 Trim.
- PTFE Cap and Hinge Pin Seal.
- 600 psi pressure rated.
- -20 / +180 deg C Temp rated.
- BSP Screwed end connections to ISO 7/1 Rp (sizes 1/4"- 4") NPT to ASME B1.20.1 (sizes 1/2" - 2").
- CE marked in accordance with PED 2014/68/EU (from 1.1/4").

Item	Part	Material	Qty.
1	Body	CF8M	1
2	Disc	CF8M	1
3	Plug	SS316	1
4	Plug Gasket	PTFE	1
5	Body Gasket	PTFE	1
6	Cap	CF8M	1

A good all round general purpose Check Valve most suited to Liquid and Steam duties. The 600 psi Pressure Rating is relatively unique as most companies are only able to offer a 200 psi unit.

Available size range: 1/4" - 4"

SIZE	d	L	H	D	P	Kgs
1/4"	10	65	42	14	10	0.32
3/8"	12	65	42	17.6	10	0.31
1/2"	15	65	42	21.7	10	0.3
3/4"	20	80	50	27.3	13	0.43
1"	25	90	58	34.1	13	0.68
1-1/4"	32	105	62	42.8	13	1.05
1-1/2"	40	120	72	48.7	13	1.38
2"	50	140	81	61.1	16	1.98
2-1/2"	64	164	94	77	16	2.82
3"	73	190	103	90	16	3.9
4"	94	240	136	115.2	20	9.1

