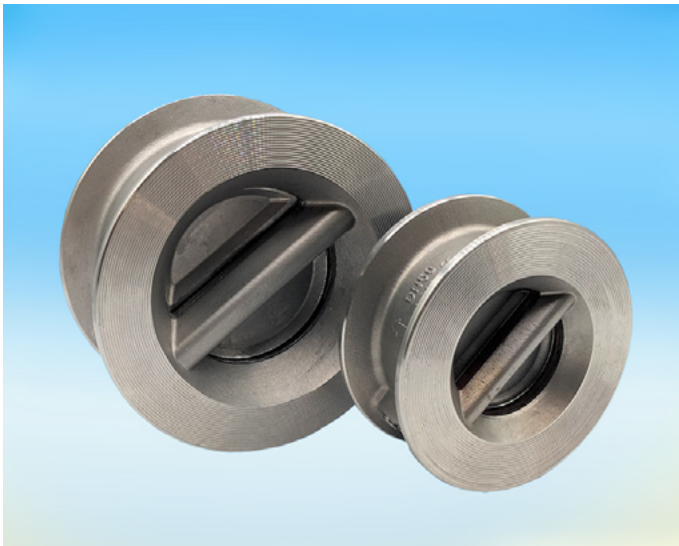




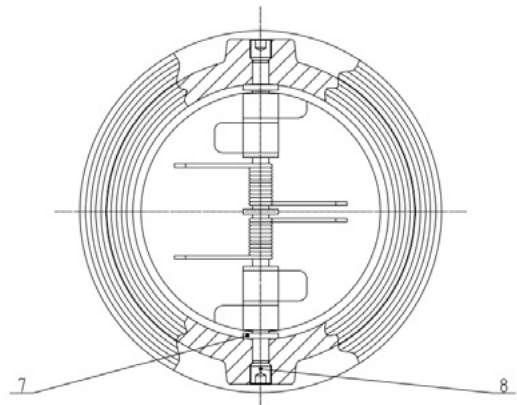
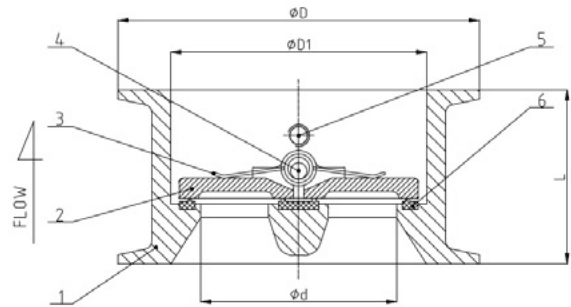
Dual Plate Wafer Pattern Spring Check Valve



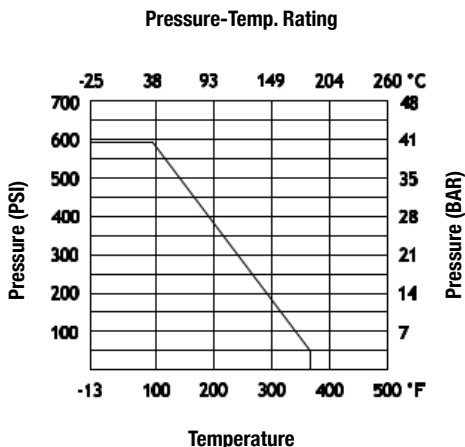
- ASTM A351 CF8M 316 Stainless Steel Body & Plates. 316 Stop, Hinge Pin, Axle & Spring.
- Viton Seat vulcanised into a body slot.
- 40 bar pressure rated.
- -25 / +150 deg C Temp rated.
- To fit between EN10902-1 DIN PN10/16/40 Flanges and ANSI B16.5 150/300
- Face to Face in accordance with EN558-1 (DIN 3202-K3) CE marked in accordance with 2014/68/EU PED.

The valves are designed to fit between flanges within the PCD of the flange bolts. The valve requires flange gaskets to be used. Because both sealing plates fold back, the valve has excellent flow characteristics, especially on water duties.

Available size range: 2" - 10"



Item	Part	Material	Qty.
1	Body	CF8M	1
2	Disc	CF8M	2
3	Spring	SS316	2
4	Axle	SS316	1
5	Disc Stopper	SS316	1
6	Seat	VITON	1
7	Washer	PTFE	7
8	Plug	SS304	4



SIZE	ϕd	ϕD	$\phi D1$	L	Kgs
2"	48	101	65	43	0.98
2-1/2"	59	120	80	46	1.42
3"	72	133	94	64	2.32
4"	90	162	117	64	3.26
5"	110	192	145	70	5.08
6"	135	218	170	76	7.02
8"	175	273	224	89	10.2
10"	222	328	265	114	17.4

SIZE	Vertical Upward Flow (mbar)	Vertical Downward Flow (mbar)	Horizontal Flow (mbar)	Vertical Upward Flow (without spring) (mbar)
2"	22,8	22	22,4	0,4
2-1/2"	22,8	22	22,4	0,4
3"	22,8	22	22,4	0,4
4"	24	23	23,5	0,5
5"	24,5	23,5	24	0,5
6"	24,77	23,5	24,1	0,6
8"	25,4	24	24,7	0,7
10"	26,6	25	25,8	0,8