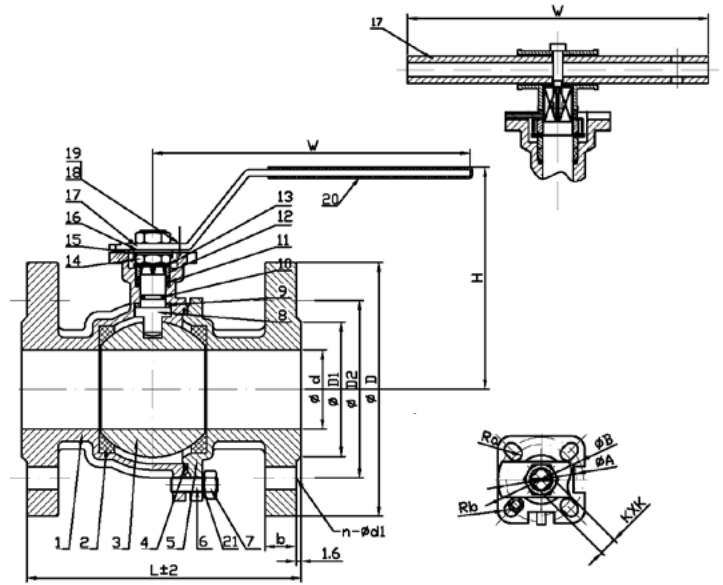


## 2-Pce Full Bore Direct Mount Flanged ASA 150 Ball Valve lever operated



- ASTM A351 CF8M 316 Stainless Steel construction, 316 Trim.
- PTFE Seats and Seals. Self Adjusting gland. Slide Type Locking Lever (except 6").
- ISO 5211 Direct Mount Pad.
- ASME 150# Pressure rated.
- -20 / + 180 Deg C Temperature rated.
- Pressure balancing hole in ball/stem slot.
- CE marked (sizes 1.1/4" upward) in accordance with the PED 2014/68/EU

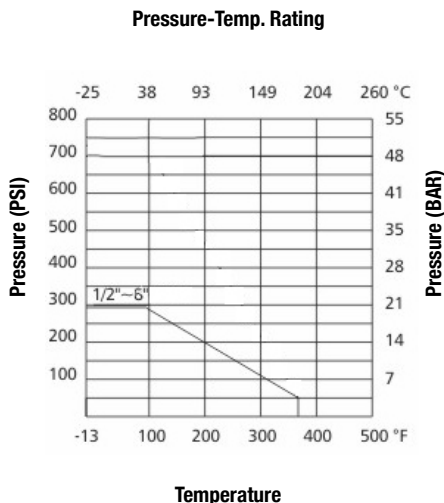
A good quality, cost effective general purpose flanged ball valve suitable for most Liquid and Gaseous duties with the added bonus of a Direct Mount ISO Pad enabling easy automation. ANSI B16.10 Face to Face dimension.

**EN10204 3.1 material Test Certificates available**

**Test standard – API 598**

**Available size range: 1/2" - 6"**

**Repair Kits available.**



| Item | Part            | Material | Qty. |
|------|-----------------|----------|------|
| 1    | Body            | CF8M     | 1    |
| 2    | Seat            | R-PTFE   | 2    |
| 3    | Ball            | 316      | 1    |
| 4    | Gasket          | PTFE     | 1    |
| 5    | Bonnet          | CF8M     | 1    |
| 6    | Bolt            | 304      | 4-8  |
| 7    | Nut             | 304      | 4-8  |
| 8    | Stem            | 316      | 1    |
| 9    | Stem Washer     | PTFE     | 1    |
| 10   | O-Ring          | FPM      | 1    |
| 11   | Packing         | PTFE     | 1    |
| 12   | Gland           | 304      | 1    |
| 13   | Disc Spring     | 304      | 2    |
| 14   | Nut             | 304      | 2    |
| 15   | Crown Washer    | 304      | 1    |
| 16   | Washer          | 304      | 1    |
| 17   | Handle          | 304      | 1    |
| 18   | Hex Socket Bolt | 304      | 1    |
| 19   | Nut             | 304      | 1    |
| 20   | Handle Cover    | PLASTIC  | 1    |
| 21   | Bolt Washer     | 304      | 4-8  |

| Nominal Diameter |        | d   | D1  | D2    | D   | L   | b    | n - $\phi d1$ | Ra  | Rb  | A   | B   | KXK   | H   | W   |
|------------------|--------|-----|-----|-------|-----|-----|------|---------------|-----|-----|-----|-----|-------|-----|-----|
| 15               | 1/2"   | 15  | 35  | 60.5  | 89  | 108 | 10.5 | 4 - $\phi 16$ | 3   | 3   | 36  | 42  | 9X9   | 80  | 140 |
| 20               | 3/4"   | 20  | 43  | 70    | 98  | 117 | 10.5 | 4 - $\phi 16$ | 3   | 3   | 36  | 42  | 9X9   | 85  | 140 |
| 25               | 1"     | 25  | 51  | 79.5  | 108 | 127 | 10.5 | 4 - $\phi 16$ | 3   | 3.5 | 42  | 50  | 11X11 | 93  | 165 |
| 32               | 1-1/4" | 32  | 64  | 89    | 115 | 140 | 11.2 | 4 - $\phi 16$ | 3   | 3.5 | 42  | 50  | 11X11 | 104 | 165 |
| 40               | 1-1/2" | 38  | 73  | 98.5  | 125 | 165 | 12.7 | 4 - $\phi 16$ | 3.5 | 4.5 | 50  | 70  | 14X14 | 115 | 195 |
| 50               | 2"     | 50  | 92  | 120.5 | 150 | 178 | 14.3 | 4 - $\phi 19$ | 3.5 | 4.5 | 50  | 70  | 14X14 | 125 | 195 |
| 65               | 2-1/2" | 64  | 105 | 139.5 | 178 | 190 | 15.9 | 4 - $\phi 19$ | 4.5 | 5.5 | 70  | 102 | 17X17 | 145 | 260 |
| 80               | 3"     | 76  | 127 | 152.5 | 190 | 203 | 17.5 | 4 - $\phi 19$ | 4.5 | 5.5 | 70  | 102 | 17X17 | 152 | 260 |
| 100              | 4"     | 96  | 157 | 190.5 | 229 | 229 | 22.3 | 4 - $\phi 19$ | 5.5 | 5.5 | 70  | 102 | 17X17 | 180 | 300 |
| 125              | 5"     | 125 | 186 | 216   | 356 | 356 | 22.3 | 4 - $\phi 22$ | 5.5 | 6.5 | 102 | 125 | 22X22 | 210 | 600 |
| 150              | 6"     | 150 | 216 | 241.5 | 394 | 394 | 23.9 | 4 - $\phi 22$ | 5.5 | 6.5 | 102 | 125 | 27X27 | 225 | 600 |