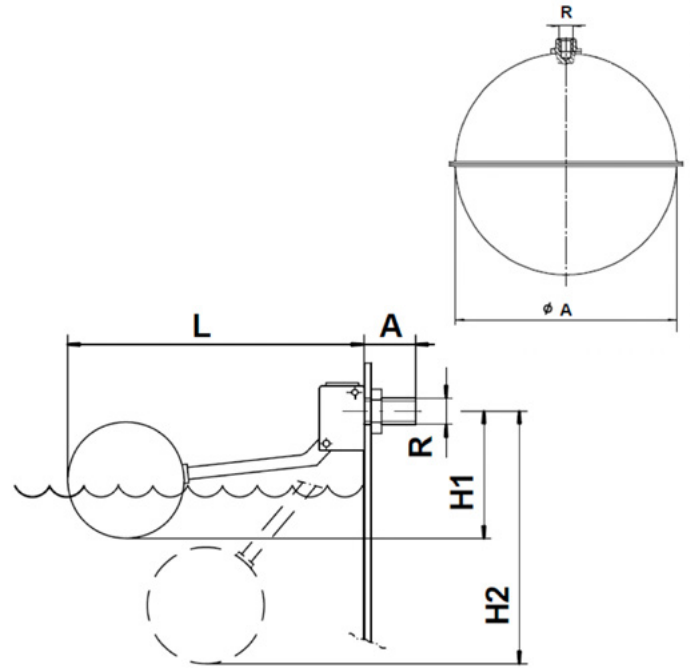


Screwed Stainless Steel Ball Float Valve



- ASTM A351 CF8M 316 Stainless Steel construction.
- Silicon Seal. Simple "Portsmouth" pattern design.
- +150 Deg C temperature rated. 10 Bar/g pressure rated.
- Valve is supplied complete with relevant size 316 Float.
- BSPP ISO 228/1 Male connection c/w Backnut.

This valve is designed for simple and cost effective fluid level control within open tanks and vessels. Other Seal Materials are available upon application.

"Non-Bubble" type Valves and Flanged options are also available on special order.

Available size range: 1/2" - 2"

Item	Part	Material	Qty.
1	Body	CF8M 316	1
2	Disc	316	1
3	Seat	SILICONE	1
4	Nipple	316	1
5	Nut	316	2
6	Arm	316	1
7	Lever	316	1
8	Screw	316	1
9	Bolt	316	1
10	Pin	316	2

SIZE	A	L	H1	H2	R	Float ϕ
1/2"	35	410	127	375	M6	90
3/4"	42	500	155	436	M8	160
1"	45	580	174	521	M8	160
1-1/4"	52	580	164	520	M8	160
1-1/2"	60	620	253	651	M12	200
2"	70	720	255	736	M12	200

SIZE	PRESSURE (BAR / G)						
	1	2	3	4	6	8	10
1/2"	2829	3998	4895	5657	6790	7978	8938
3/4"	4838	6842	8370	9677	11805	13993	15289
1"	6934	9919	12147	14068	17167	19654	21945
1-1/4"	7440	10643	13034	15095	18420	21089	23547
1-1/2"	15556	21948	26928	31104	37635	43657	51516
2"	23685	33863	40977	47372	57791	67532	75500

Table above shows flow rate in litres per hour (l/h) at pressures stated.