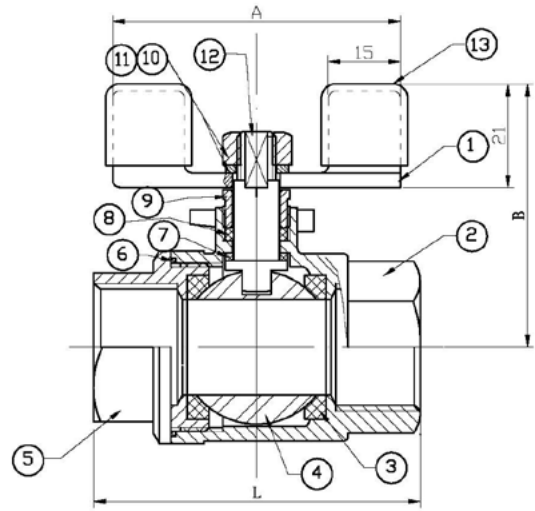


2-Pce Full Bore Ball Valve T-Handle



- ASTM A351 CF8M 316 Stainless Steel construction, 316 Trim.
- PTFE Seats and Seals. Adjustable gland. T-Handle operator.
- 1000 psi/g Pressure rated.
- -20 / + 180 Deg C Temperature rated.
- Pressure balance hole in Ball Slot.
- BSP Screwed end connections only.

A good quality, general purpose ball valve suitable for most Liquid and Gaseous duties

Full material Test Certificates available

Test standard – API 598

BSP Ends - ISO 7-1

Available size range: 1/4" - 1/2"

Item	Part	Material	Qty.
1	Handle	304	1
2	Body	CF8M	1
3	Ball Seat	PTFE	2
4	Ball	CF8M	1
5	Cap	CF8M	1
6	Joint Gasket	PTFE	1
7	Gasket	PTFE	1
8	Stem Packing	PTFE	1
9	Gland Nut	304	1
10	Washer	304	1
11	Stem Nut	304	1
12	Stem	316	1
13	Handle Sleeve	PLASTIC	2

SIZE	L	A	B
1/4"	54	60	48
3/8"	54	60	49
1/2"	57	60	48

Pressure-Temp. Rating

