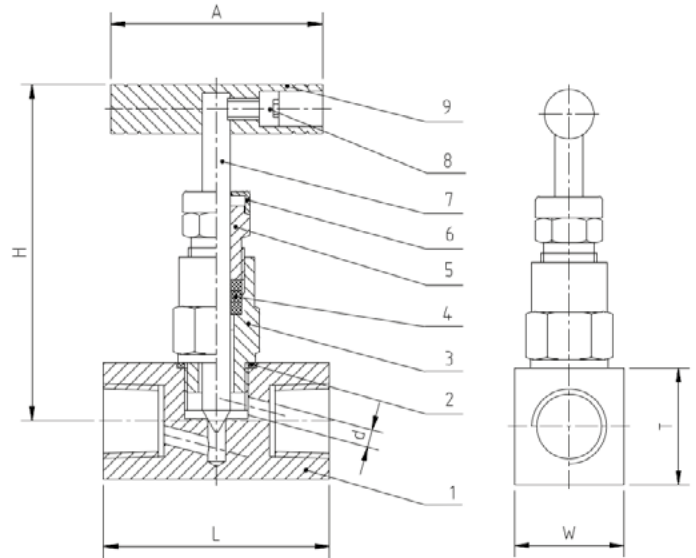


6000lb Stainless Steel Screwed Needle Valve



- 316L Stainless Steel bar stock body construction.
- 316 Bonnet & Stem and 304 T-Bar.
- PTFE Packing. Metal to Metal Tapered Tip Seal.
- -25 / +180 Deg C maximum temperature rated.
- 6000 PSI / 414 Bar/g maximum pressure rated.
- Available Screwed Female BSPP to ISO228-1 and NPT to ASME B1.20.1

3.1 Material Certificates available.

Test standard – API 598

Available size range: 1/4" - 1" (larger sizes available on factory lead time)

Item	Part	Material	Qty.
1	Body	SS316	1
2	Bonnet Gasket	SS316	1
3	Bonnet	SS316	1
4	Packing	PTFE	3
5	Gland Nut	SS316	1
6	Protective Cover (1/4"~3/4")	PLASTIC	1
7	Stem	SS316	1
8	Screw	SS304	1
9	Handle	SS304	1

SIZE	d	A	L	H	W	T
1/4"	5	60	56	80	28	28
3/8"	5	60	56	80	28	28
1/2"	5	60	58	80	28	28
3/4"	6	60	60	85	35	35
1"	8	70	70	100	45	45

