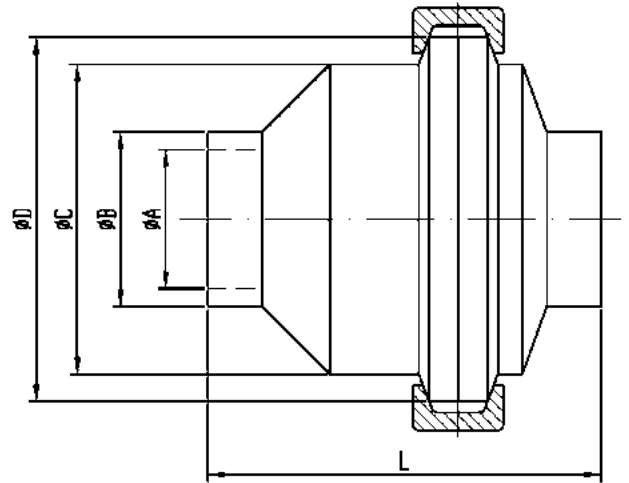


## Hygienic/Sanitary Plain Weld End Spring Check Valve



- 316L Stainless Steel Body Construction.
- EPDM Body and Seat gasket.
- 10 bar pressure rated.
- -20 / + 130 deg C Temp rated.
- Plain Butt Weld End connections to BS4825 Imperial.
- Clamp together body.
- Spring Cracking Pressure - 0.5 Bar/g

This valve is designed primarily for use on Food and Dairy applications. The clamp together body construction allows easy access for cleaning and maintenance.

**The valve comes with Plain O/D Imperial Weld Ends to BS4825 as standard. RJT, IDF, SMS, DIN and Clamp Ends are optional extras.**

**1/2" & 3/4" sizes are available on special order. Please ask our sales office for details.**

**Available size range: 1" - 4"**

Item	Part	Material	Qty.
1	Body	AISI 316	1
2	Body Cap	AISI 316	1
3	Gasket	EPDM	1
4	Bush Guide	AISI 316	1
5	Spring	AISI 316	1
6	Seat	EPDM	1
7	Stem	AISI 316	1
8	Body Clamp	AISI 304	1

SIZE	$\phi d$	$\phi D$	$\phi D1$	L	Kgs
1"	22.4	25.4	64	77.5	82.5
1-1/2"	35.1	38.1	64	77.5	81.5
2"	47.8	50.8	75	91	91.5
2-1/2"	59.5	63.5	90.5	106	95.5
3"	72.2	76.2	104	119	100.5
4"	97.6	101.6	128	145	110