

1-Pce Reduced Bore Ball Valve lever operated



- ASTM A351 CF8M 316 Stainless Steel construction, 316 Trim.
- PTFE Seats and Seals. Slide type Locking Lever.
- 1000 psi/g Pressure rated.
- -20 / + 180 Deg C Temperature rated.
- BSP and NPT Screwed end connections available.
- CE marked (sizes 1.1/4" upward) in accordance with the PED 2014/68/EU

A good quality, general purpose ball valve suitable for most Liquid and Gaseous duties

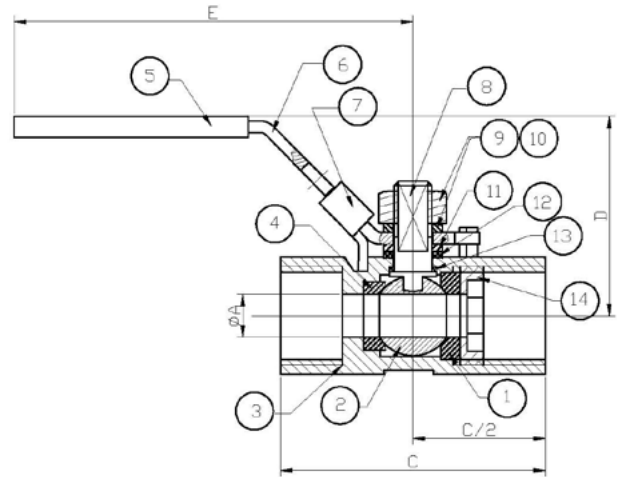
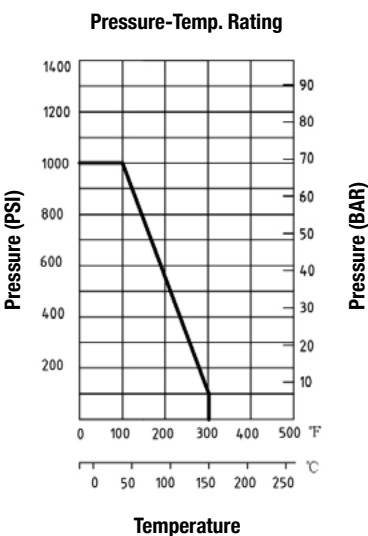
Full material Test Certificates available

Test standard – API 598

BSP Ends - ISO 7-1

NPT Ends - ASME B1.20.1

Available size range: 1/4" - 2"



Item	Part	Material	Qty.
1	Joint Gasket	PTFE	1
2	Ball	CF8M	1
3	Body	CF8M	1
4	Seat	PTFE	1
5	Handle Cover	PLASTIC	1
6	Handle	304	1
7	Locking Device	304	1
8	Stem	316	1
9	Stem Nut	304	1
10	Stem Washer	304	1
11	Gland Nut	304	1
12	Stem Packing	PTFE	1
13	Thrust Washer	PTFE	1
14	Body Insert	CF8M	1

SIZE	A	C	E	D
1/4"	5	39	77	39
3/8"	7	44	77	39
1/2"	9.2	56.5	88	44
3/4"	12.8	59	88	48
1"	15	71	109	57
1-1/4"	20	78	109	59
1-1/2"	25	83	135	70
2"	32	100	135	74