

Screwed "Barrel" Spring Check Valve with FKM Seat

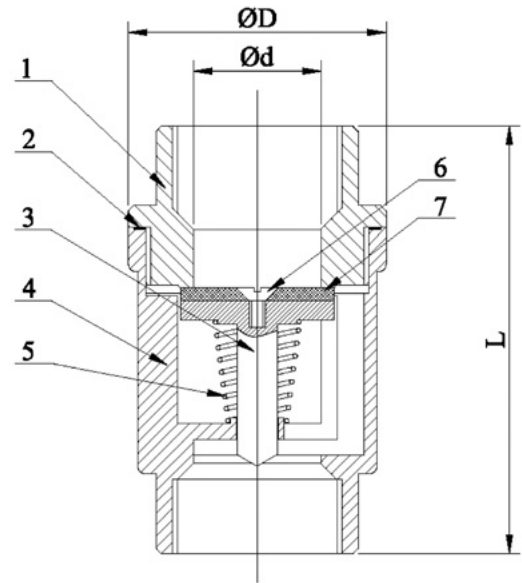


- Screwed "Barrel Type" Spring Check Valve.
- ASTM A351 CF8M 316 Stainless Steel construction
- 316 Stainless Steel Spring
- 2-Pce screw together body construction.
- PTFE Body Seal, FKM Seat.
- 69 bar (1000 psi) pressure rated.
- -25 / +180 deg C Temp rated.
- BSP Screwed end connections to ISO 7/1 Rp.
- CE marked in accordance with PED 2014/68/EU.

The 2-pce body construction allows the valve to be maintained.

We are able to offer full material certification to EN 10204 3.1.

Available size range: 2.1/2" - 4"



Item	Part	Material	Qty.
1	Cap	CF8M	1
2	Body Gasket	PTFE	1
3	Disc	CF8M	1
4	Body	CF8M	1
5	Spring	SS316	1
6	Screw	SS316	1
7	Seat	FKM	1

SIZE	d	D	L	Kgs
2-1/2"	61	102.5	118	2.44
3"	75	120	138	3.80
4"	94	150	158	6.60

SIZE	Cracking Pressure mbar	Cv	Kv
2-1/2"	20-28	87.5	75
3"	20-28	130.7	112
4"	20-28	200.7	172

Please note that no alternative spring ranges are available for this model of Check Valve

