

GC SUPPLIES UK LTD



**Stainless Steel
NPT Screwed
Low Pressure Fittings**

Contents



3

- Introduction

4

- Equal Female 90 Elbow
- Equal M/F 90 Street Elbow
- Equal Female 45 Elbow

5

- Equal Female Tee
- Equal Female Cross
- Barrel Nipple From Pipe

6

- Weld Nipple From Pipe
- Equal Hexagon Nipple
- Reducing Hexagon Nipple

7

- Full Socket (Coupling) O.D. Machined
- Half Socket (Coupling) O.D. Machined
- Reducing Socket

8

- Hexagon Head Plug
- Square Head Plug
- Hexagon End Cap

9

- Hexagon Reducing Bush
- Equal Female Cone Seat Union

10

- Male Hose Tail
- Equal M/F Hex Adaptor NPT(M) x BSP(F)
- Equal M/F Hex Adaptor BSPT(M) x NPT(F)

Introduction



NPT Screwed Low Pressure Stainless Steel Pipe Fittings

KI (Kingdom) brand high quality CF8M 316 Stainless Steel Castings

100% compliance with the ISO 4144 standard for dimensions, inspection and testing

All KI Pipe Fittings are 100% Pressure Tested at the Factory NOT just batch tested.

All Fittings are screwed to ASME Standard B1.20.1 NPT Taper Male and Female.

20 Bar/g (290 psi/g) pressure rated @ ambient temperatures (see table below)

Pressure-Temp Rating	
Temperature (°C)	No-Shock Maximum Working Pressure (Bar)
-20 to 40	20
100	16.5
150	15
200	14
220	13.5

1. Pressure for intermediate temperatures may be determined by the interpolation method.
 2. Temperatures indicated are those of internal fluid.
 3. Piping loads, stresses and moments are not taken into account.

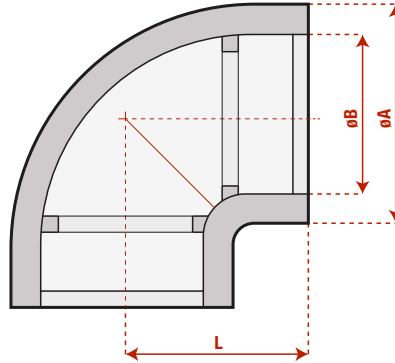


Barrel Nipples, Weld Nipples, Close Taper Nipples, Running Nipples, Male Bends and Special Length Barrel/Weld Nipples are all manufactured from Pipe and have a higher pressure rating.

All dimensions given were accurate at the time of publishing and are subject to change without prior notice. If dimensions are critical, please confirm with the Sales office.

K-01

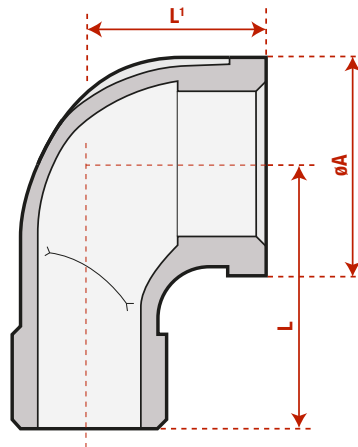
Equal Female 90 Elbow



SIZE	ØA	L
1/4"	19	19.5
3/8"	22.5	23.5
1/2"	27.5	27.5
3/4"	33	32.5
1"	40.5	38.5
1-1/4"	50	45.5
1-1/2"	56.5	48.5
2"	70	57.5
2-1/2"	86.5	69.5
3"	100	78.5

K-04

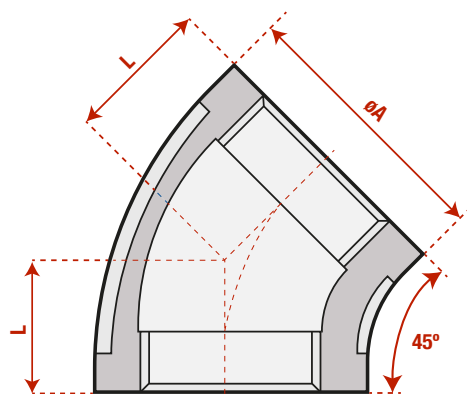
Equal M/F 90 Street Elbow



SIZE	ØB	L	L'
1/4"	19	27.5	19.5
3/8"	22.5	29.5	23.5
1/2"	27	35.5	27.5
3/4"	32.5	40.5	32.5
1"	40	46.5	38.5
1-1/4"	50	54.5	45.5
1-1/2"	56.5	57.5	48.5
2"	69	70.5	57.5
3"	100	94.5	78.5

K-05

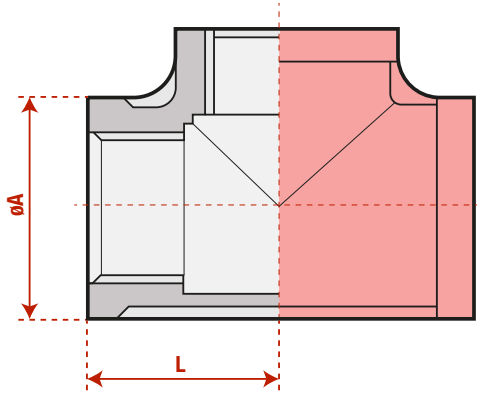
Equal Female 45 Elbow



SIZE	ØA	L
1/2"	27.5	21.5
3/4"	33	25.5
1"	40.5	29.5
1-1/4"	50	33.5
1-1/2"	56.5	37.5
2"	70	42.5
2-1/2"	86.5	49.5

K-02

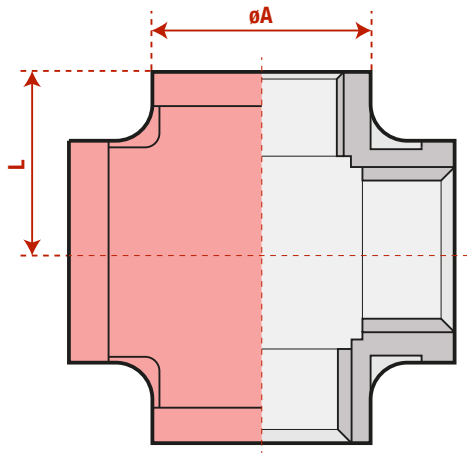
Equal Female Tee



SIZE	ØA	L
1/4"	19	19.5
3/8"	22.5	23.5
1/2"	27.5	27.5
3/4"	33	32.5
1"	40.5	38.5
1-1/4"	50	45.5
1-1/2"	56.5	48.5
2"	70	57.5
2-1/2"	86.5	69.5
3"	100	78.5

K-03

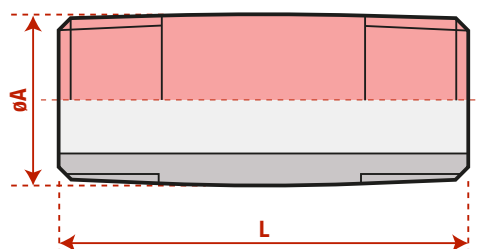
Equal Female Cross



SIZE	ØA	L
1/2"	27	27.5
3/4"	32.5	32.5
1"	40	38.5
1-1/4"	50	45.5
1-1/2"	56.5	48.5
2"	69	57.5

K-07B

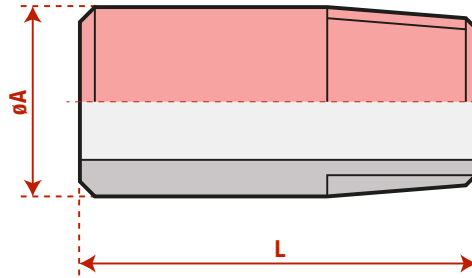
Barrel Nipple From Pipe



SIZE	ØA	L
1/4"	13.5	40
3/8"	17.2	40
1/2"	21.3	60
3/4"	26.9	60
1"	33.7	60
1-1/4"	42.4	80
1-1/2"	48.3	80
2"	60.3	100
2-1/2"	76.1	100
3"	88.9	120
4"	114.3	120

K-07C

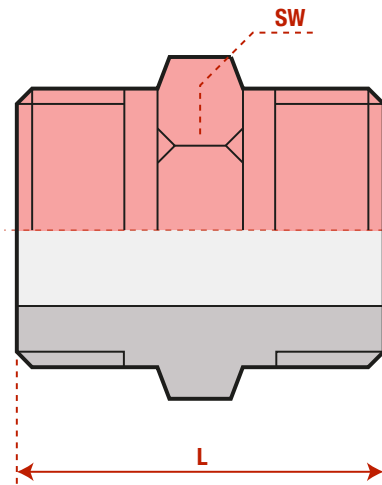
Weld Nipple From Pipe



SIZE	$\varnothing A$	L
1/4"	13.5	30
3/8"	17.2	30
1/2"	21.3	35
3/4"	26.9	40
1"	33.7	40
1-1/4"	42.4	50
1-1/2"	48.3	50
2"	60.3	50
2-1/2"	76.1	60
3"	88.9	70
4"	114.3	80

K-071

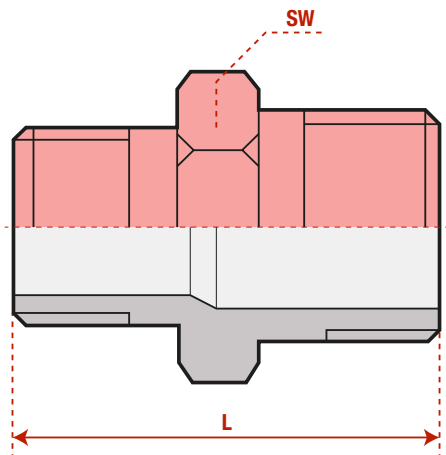
Equal Hexagon Nipple



SIZE	L	SW
1/4"	32.5	17
3/8"	36	20
1/2"	42.5	26
3/4"	46	32
1"	51.5	38
1-1/4"	56	46
1-1/2"	60	52.5
2"	65	62
2-1/2"	80	79
3"	90	92

K-07A

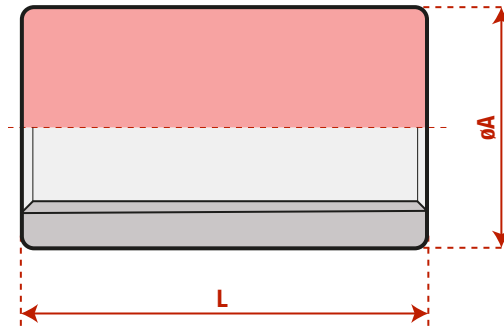
Reducing Hexagon Nipple



SIZE	L	SW
1/2"x1/4"	32	24
1/2"x3/8"	37	24
3/4"x1/2"	38	30
1"x1/2"	41	35
1"x3/4"	42	36
1-1/4"x1"	48.5	46
1-1/2"x1/2"	49	46
1-1/2"x3/4"	53	50
1-1/2"x1"	48.5	50
1-1/2"x1-1/4"	51	50
2"x1"	57	63
2"x1-1/2"	55.5	65

K-012E

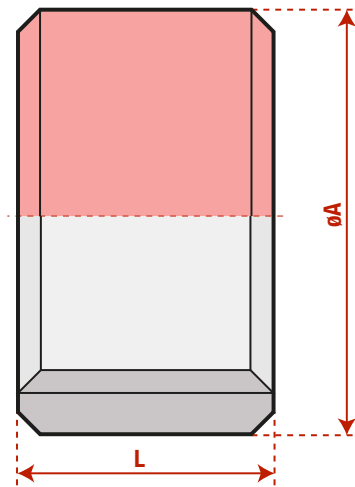
Full Socket (Coupling) O.D. Machined



SIZE	ϕA	L
1/4"	18.5	25
3/8"	21.3	26
1/2"	26.4	34
3/4"	31.8	36
1"	39.5	43
1-1/4"	48.3	48
1-1/2"	54.5	48
2"	66.5	56
2-1/2"	82.3	65
3"	95	71
4"	122	83

K-012F

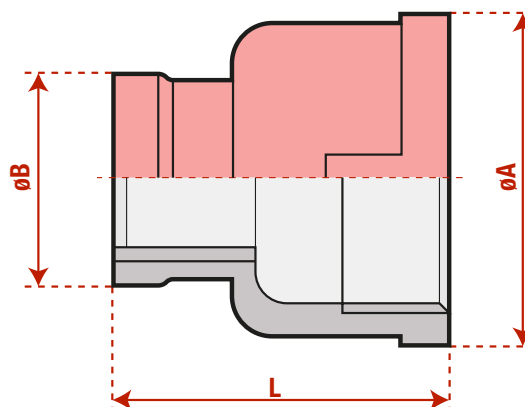
Half Socket (Coupling) O.D. Machined



SIZE	ϕA	L
1/4"	18.5	8
3/8"	21.3	12
1/2"	26.4	15
3/4"	31.8	17
1"	39.5	20
1-1/4"	48.3	22
1-1/2"	54.5	22
2"	66.5	26

K-012A

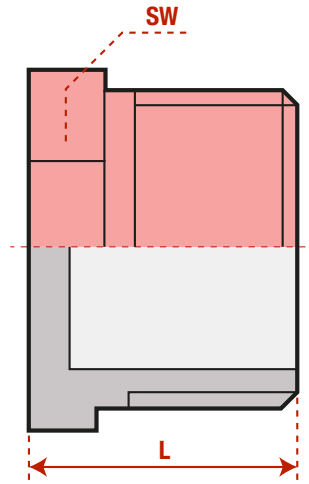
Reducing Socket



SIZE	ϕA	ϕB	L
1/2"x1/4"	27	19	35
3/4"x1/2"	32.5	27	37
1"x1/2"	40	27	43
1"x3/4"	40	32.5	43
1-1/4"x1"	50	40	49
1-1/2"x1"	56.5	40	53
1-1/2"x1-1/4"	56.5	50	53
2"x1"	72	41	56
2"x1-1/2"	69	56.5	59

K-08

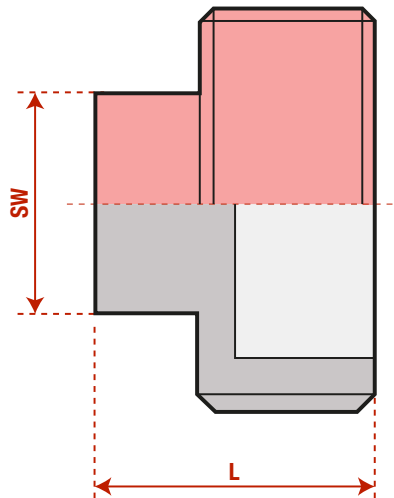
Hexagon Head Plug



SIZE	L	SW
1/4"	17.5	16
3/8"	18	20
1/2"	21	24
3/4"	22.5	30
1"	25.5	36
1-1/4"	28.5	46
1-1/2"	28.5	50
2"	33.5	65
2-1/2"	37	80
3"	41	95

K-08B

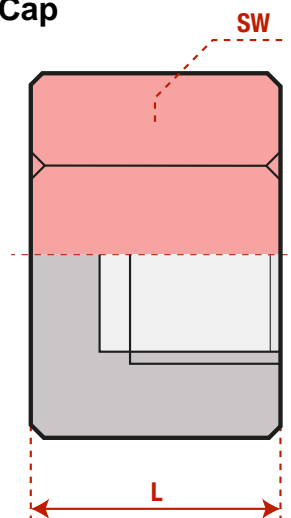
Square Head Plug



SIZE	L	SW
1/8"	16.5	6x6
1/4"	20	9x9
3/8"	24	11x11
1/2"	20.5	13x13
3/4"	23	16x16
1"	27.5	21x21
1-1/4"	30	24x24
1-1/2"	31	27x27
2"	36.5	34x34

K-010

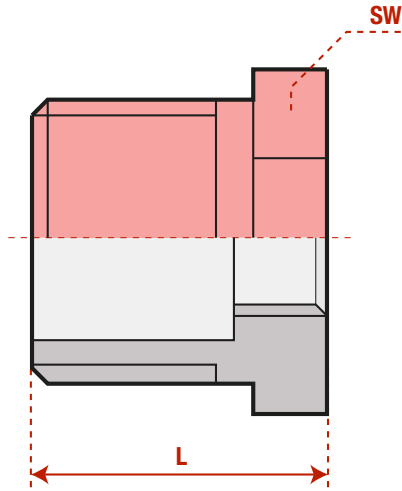
Hexagon End Cap



SIZE	L	SW
1/4"	17	18
3/8"	19	21
1/2"	20	27
3/4"	24	30
1"	25	38
1-1/4"	28	50
1-1/2"	28	55
2"	34	70

K-09

Hexagon Reducing Bush

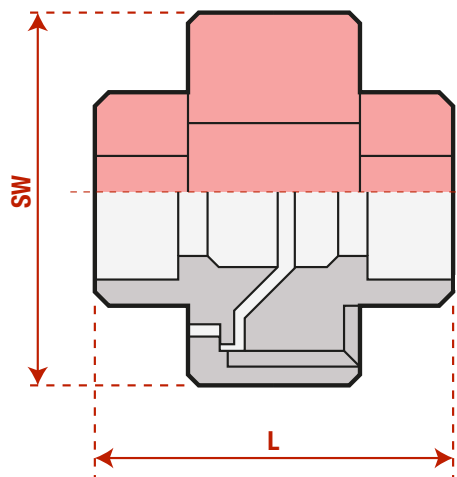


SIZE	L	SW
1/4"x1/8"	15.2	16
3/8"x1/4"	16.5	18
1/2"x1/4"	21	26
1/2"x3/8"	21	26
3/4"x1/4"	24	30
3/4"x3/8"	24	30
3/4"x1/2"	24	30
1"x1/2"	27	35
1"x3/4"	27	35
1-1/4"x1"	30	45

SIZE	L	SW
1-1/2"x1/2"	38	52
1-1/2"x3/4"	38	52
1-1/2"x1"	29.5	50
1-1/2"x1-1/4"	29.5	50
2"x1"	36	63
2"x1-1/4"	34	65
2"x1-1/2"	34	65
2-1/2"x2"	36	80
3"x2"	40	95
3"x2-1/2"	40	95

K-06

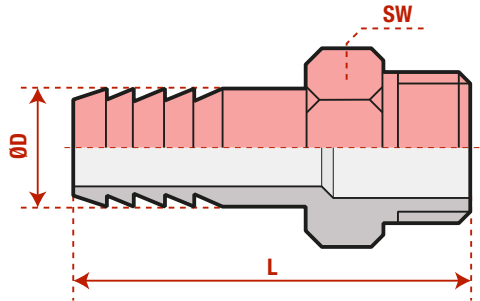
Equal Female Cone Seat Union



SIZE	L	SW
1/4"	34	30
3/8"	37	35
1/2"	40.5	41
3/4"	43	48
1"	50.5	54
1-1/4"	54.5	65
1-1/2"	58.5	72
2"	65.5	88
2-1/2"	76	109
3"	84	122

K-07D

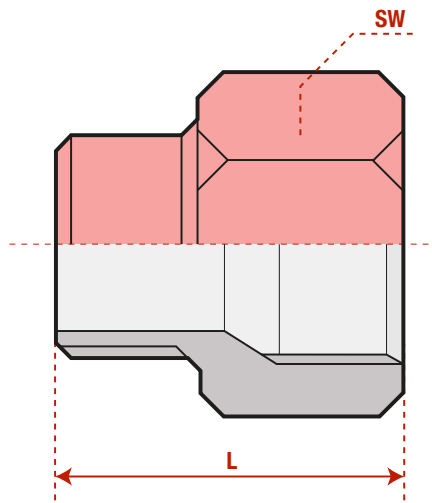
Male Hose Tail



SIZE	ØD	L	SW
1/4"	6.35	47	16.5
3/8"	9.52	55	20
1/2"	12.7	64	23.5
3/4"	19.05	68	31
1"	25.4	71	38.5
1-1/4"	31.75	80	46
1-1/2"	38.1	95	52
2"	50.8	105	62

K-017 NT/BP

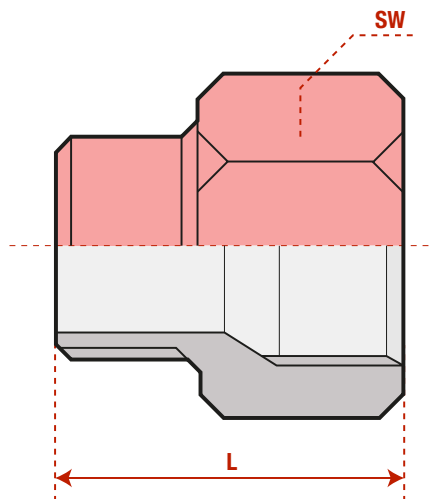
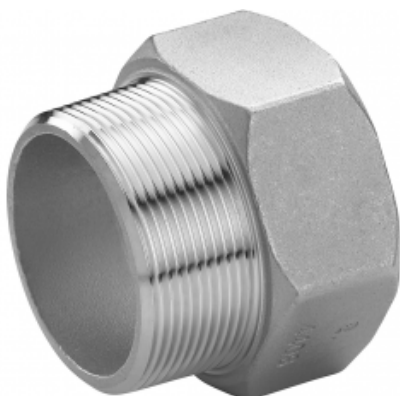
Equal M/F Hex Adaptor NPT(M) x BSP(F)



SIZE	L	SW
1"	46	38
1-1/4"	49	50
1-1/2"	51	54
2"	57	68

K-017 BT/NT

Equal M/F Hex Adaptor BSPT(M) x NPT(F)



SIZE	L	SW
1"	46	38
1-1/4"	49	50
1-1/2"	51	54
2"	57	68