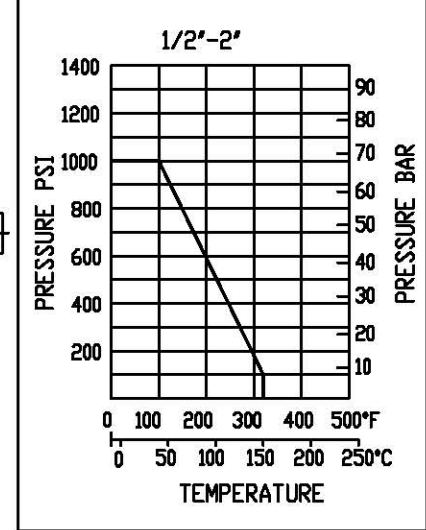
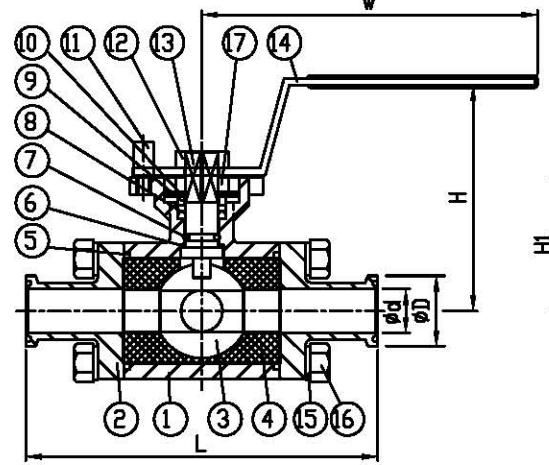


□ PRESSURE TEMPERATURE RATING □ MATERIAL OF CONSTRUCTION



ITEM	PARTS	MATERIAL		QTY
1	BODY	A351-CF8M	CF3M	1
2	CAP	A351-CF8M	CF3M	4
3	BALL	A351-CF8M	CF3M	1
4	SEAT	PTFE	TEM-1600®	4
5	GASKET	PTFE	PTFE	2
6	THRUST WASHER	PTFE	PTFE	1
7	O-RING	FKM	FKM	1
8	STEM PACKING	PTFE	PTFE	1
9	RING	AISI 316	AISI 304	1
10	BEVEL WASHER	AISI 301	AISI 301	2
11	STOP PIN	AISI 316	AISI 316	1
12	NUT	AISI 304	AISI 304	1
13	STEM	AISI 316	AISI 316	1
14	HANDLE	AISI 304	AISI 304	1
15	SPRING WASHER	AISI 304	AISI 304	16
16	BOLT	AISI 304	AISI 304	16
17	PREVALING	PVEICE	AISI 304	1
18	NUT	AISI 304	AISI 304	1



FOR PIECE THREE WAY MULTI-PERT 1000 WDG SANITARG BALL VALVE TRI-CLAMP END T/T/T FEATURES:

- *BLOW-OUT PROOF STEM SOLID BALL
- *LOCKING HAUDLE
- *INVESTMENT CAST STAINLESS STEEL CF8M OR CF3M
- *BALL AND END POLISHED FULL-COVER RAT 20RA
- *BALL T-PORT AND L-PORT
- *LONG-NECK ISO 5211 MOUNTING PAD ENABLES TO INSTALL ACTUA TOR DIRECTLY
- *SIZE: AVAILABLE FORM 1/2" ~ 2"

□ DIMENSION (M.M.)

SIZE	DN	ISO-5211	W	H	H1	C	R	L	ød	øD	TORQUE INLB
1/2"	15	F03/F04	121	78	44.5	9	9	118.0	9.5	25.4	85
3/4"	20	F03/F04	121	82	48	9	9	127.0	15.8	25.4	90
1"	25	F04/F05	137	90	59	11	11	152.4	22.2	50.4	150
1-1/2"	40	F05/F07	182	110	72	14	14	175.0	35.0	50.4	350
2"	50	F05/F07	182	114.7	82	14	14	190.0	47.6	63.9	780

G.C. SUPPLIES UK LTD TEL: +44 (0) 161-681-8114 FAX: +44 (0) 161-947-0148	DESC.	BALL VALVE	DRAWING #	Y-4MCS	SA-4MCS	
	APPROVED BY.		DATE	2001.03.22		
	DRAWER	Chen	MATERIAL	SS316	MODIFICATION	DATE