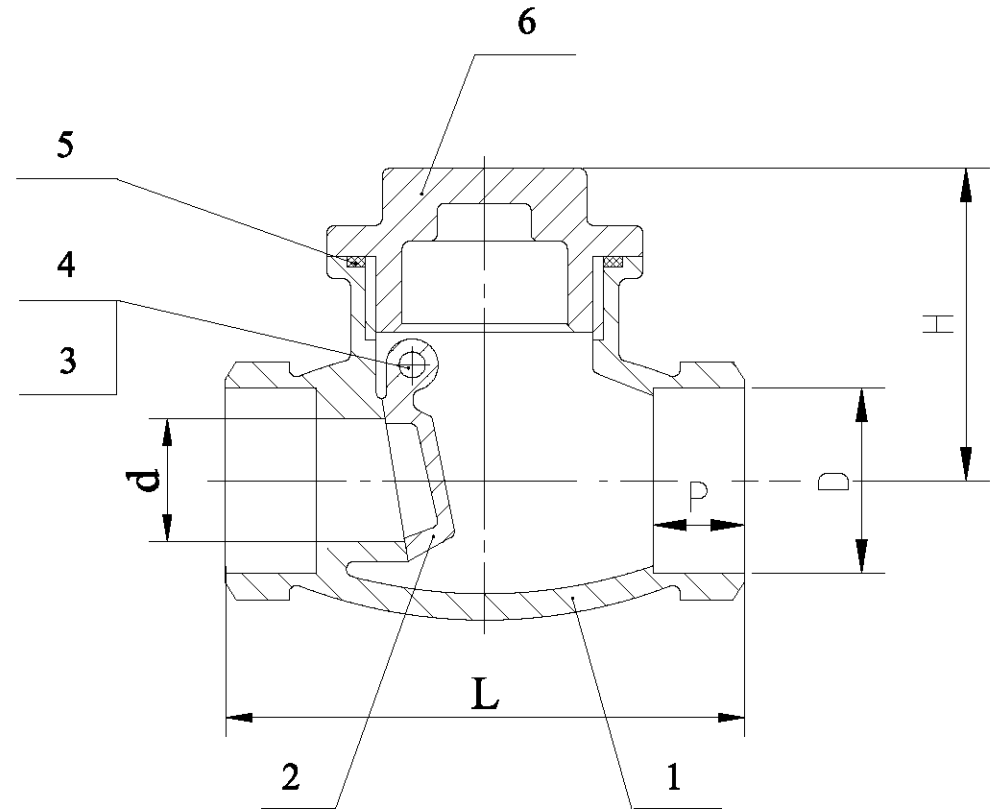


SIZE	d	L	H	D	P	Kgs
1/4"	10	65	42	14	10	0.32
3/8"	12	65	42	17.6	10	0.31
1/2"	15	65	42	21.7	10	0.30
3/4"	20	80	50	27.3	13	0.43
1"	25	90	58	34.1	13	0.68
1 1/4"	32	105	62	42.8	13	1.05
1 1/2"	40	120	72	48.7	13	1.38
2"	50	140	81	61.1	16	1.98
2 1/2"	64	164	94	77	16	2.82
3"	73	190	103	90	16	3.90
4"	94	240	136	115.2	20	9.10



ITEM	PART	MATERIAL	QTY.
1	Body	CF8M	1
2	Disc	CF8M	1
3	Pipe Plug	SS316	1
4	Plug Gasket	PTFE	1
5	Body Gasket	PTFE	1
6	Cap	CF8M	1

				MATERIAL	CF8M	G.C. SUPPLIES UK LIMITED
				QUANTITY		
				SCALE		PRODUCTS NAME
				WEIGHT		
					SUPPLY STATUS	PART NAME
MARK			SIGN	DATE:		ETG-CK1
DESIGNED	李	2015. 11. 11	REVIEWED			
APPROVED			DATE:	12.06.29	PAGE1 OF 1	