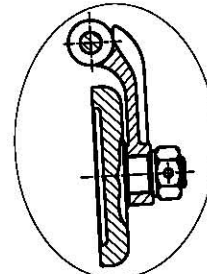


1/2"-3"

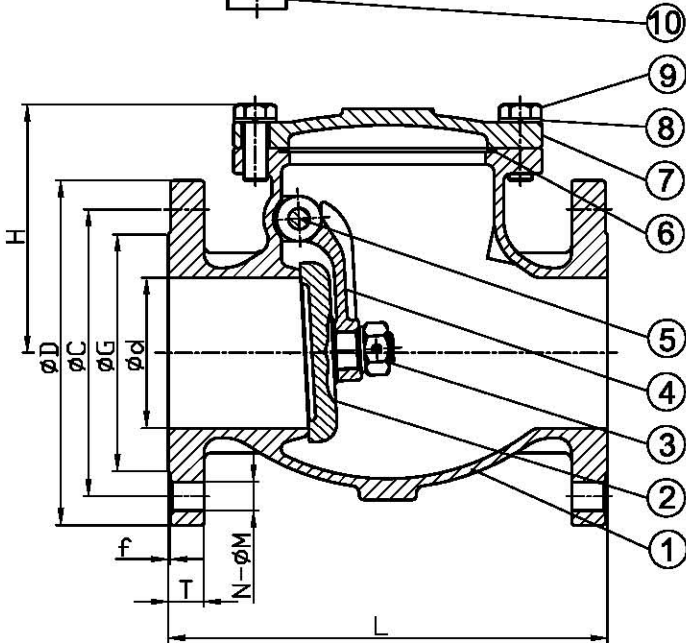


4"-14"

**MATERIALS LIST:**

NO.	PART NAME	MATERIAL	
1	BODY	CF8	CF8M
2	DISC	CF8	CF8M
3	NUT	SUS304	
4	ARM HINGE	CF8	CF8M
5	HINGE PIN	SUS304	SUS316
6	GASKET	* PTFE / 304+GRAPHITE	
7	BONNET	CF8	CF8M
8	SPRING WASHERS	SUS304	
9	BONNET BOLT	SUS304	
10	BOLT	SUS304	

\*8"UP GASKET:304+GRAPHITE



**TEST PRESSURE:**

SHELL(BY WATER)	450PSI
	32kg/cm <sup>2</sup>
SEAT	BY WATER
	315PSI
	22kg/cm <sup>2</sup>
	BY AIR
85PSI	
6kg/cm <sup>2</sup>	

**DIMENSIONS:**

SIZE	d	L	H	D	C	G	f	T	N-ØM	
1/2"	15	15	108	51	89	60.5	35	1.6	12.1	4-Ø16
3/4"	20	20	117	54	98	70.0	43	1.6	12.1	4-Ø16
1"	25	25	127	64	108	79.5	51	1.6	12.1	4-Ø16
1 1/4"	32	32	140	68	117	89.5	64	1.6	12.7	4-Ø16
1 1/2"	40	40	165	75	127	98.5	73	1.6	14.3	4-Ø16
2"	50	50	203	97	152	120.5	92	1.6	15.9	4-Ø19
2 1/2"	65	65	216	111	178	139.5	105	1.6	17.5	4-Ø19
3"	80	80	241	120	190	152.5	127	1.6	19.1	4-Ø19
4"	100	100	292	162	229	190.5	157	1.6	23.9	8-Ø19
5"	125	125	330	179	254	216.0	186	1.6	23.9	8-Ø22
6"	150	150	356	203	279	241.5	216	1.6	25.4	8-Ø22
8"	200	200	495	236	343	298.5	270	1.6	28.6	8-Ø22
10"	250	250	622	302	406	362.0	324	1.6	30.2	12-Ø25
12"	300	300	698	340	483	432.0	381	1.6	31.8	12-Ø25
14"	337	337	787	385	533	476.5	413	1.6	35.0	12-Ø29

\* All dimensions are subject to change without further notification.

**FEATURES:**

- FACE TO FACE DIMENSION: ANSI B16.10
- END FLANGE DIMENSIONS: ANSI B16.5
- DESIGN:ANSI B16.34
- TEST:API 598
- INVESTMENT CASTING BODY

*GC Supplies UK Ltd.*  
 TEL:+44(0)161-681-8114  
 FAX:+44(0)161-947-0148

DESC	SWING CHECK VALVE 150LB FLANGE END	DRAWING #	ETG-CK150		
APPROVED BY.		DATE	30/10/2009		
DRAWER	<i>Y.J. Lee</i>	MATERIAL		MODIFICATION	