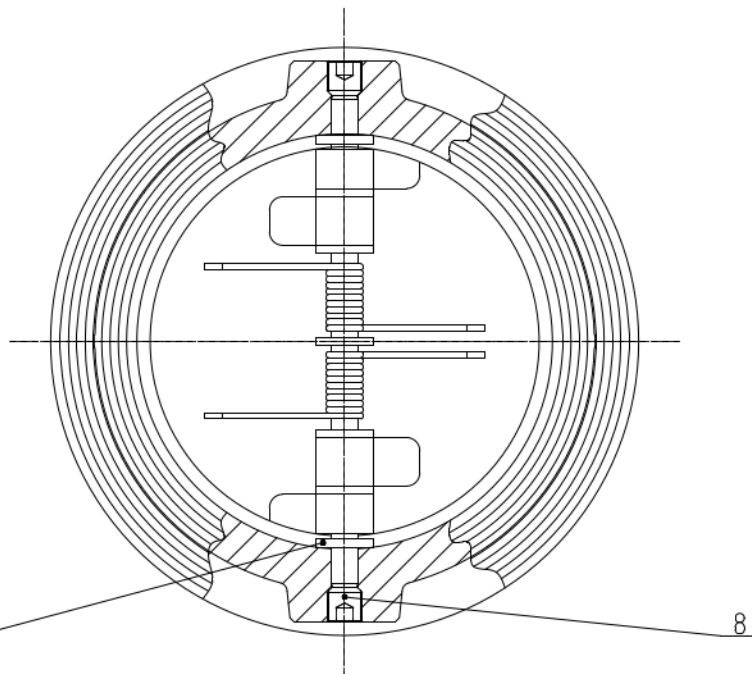


SIZE	φd	φD	φD1	L	Kgs
1-1/2"	38	84	65	33	0.75
2"	48	101	65	43	0.98
2-1/2"	59	120	80	46	1.42
3"	72	133	94	64	2.32
4"	90	162	117	64	3.26
5"	110	192	145	70	5.08
6"	135	218	170	76	7.02
8"	175	273	224	89	10.20
10"	222	328	265	114	17.40
12"	264	378	310	114	23.85

ITEM	PART	MATERIAL	QTY.
1	Body	CF8M	1
2	Disc	CF8M	2
3	Spring	SS316	2
4	Axle	SS316	1
5	Disc Stopper	SS316	1
6	Seat	VITON	1
7	Washer	PTFE	7
8	Plug	SS304	4



ETG DC16:
Dual Plate Wafer Check Valve
Investment castings for body and disc
Face to face:EN558-1 (DIN3202-K3)
Seal:Viton/EPDM/Metal-to-metal
Pressure rating:DIN PN10/16/25/40, ANSI 150/300Lbs
Material:CF8M,CF8,CF3M,WCB
EN558-1 (DIN3202-K3)
Viton/EPDM
DIN PN10/16/25/40, ANSI 150/300Lbs
CF8M,CF8,CF3M,WCB

MARK	REVISED	SIGN	DATE:	MATERIAL	QUANTITY	SCALE	WEIGHT	SUPPLY STATUS	PART NAME
DESIGNED	RN	2018. 3. 2	REVIEWED						
APPROVED			DATE:						
								PAGE 1 OF 1	ETG DC16

GC Supplies UK Ltd.
 TEL:+44(0)161-681-8114
 FAX:+44(0)161-947-0148

PRODUCTS NAME

PART NAME

ETG DC16