

FOR 2 WAY BALL VALVES
SIZE: 1/4"-2"

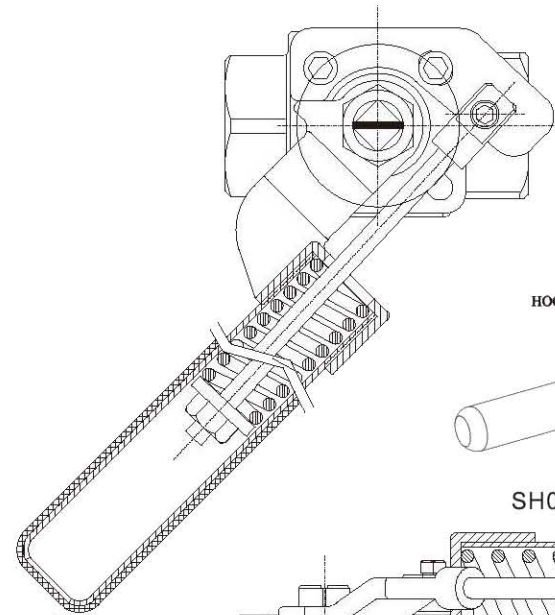
GC Supplie's spring return handle also called "deadmans" handle) was designed as heavy duty type for continuous operation. The unit can be supplied with locking device as an option.

The spring return lever is designed to mount upon the ISO 5211 direct mounting pad. Ease of assembly enabling the operator to remove and replace the handle from standard lever operated valves, to SH01, for re-use of the spring lever.

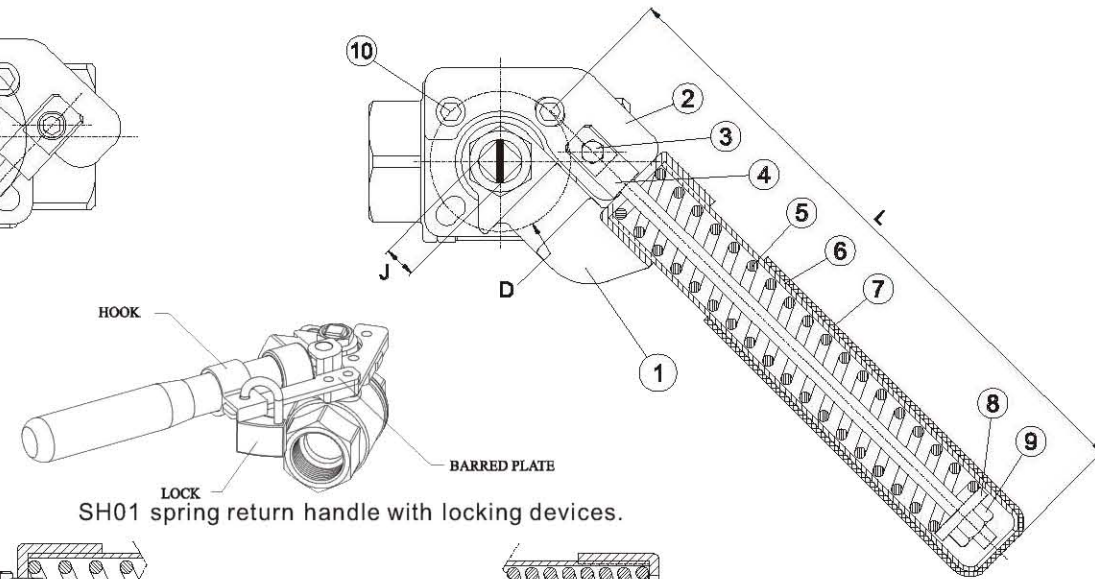
SH01 is suitable for ISO mount valves, especially for the following 2-way ball valves,
2-piece ball valve
3-piece ball valve
3-piece ball valve, 2000 WOG
3-piece sanitary ball valve
2-piece flanged ball valve
1op-entry ball valve

This allows the levers to be stocked independantly cutting the costs of stock holding.

OPEN CONDITION



CLOSE CONDITION



SH01 spring return handle with locking devices.

MATERIALS LIST

ITEM	PART NAME	MATERIALS
1	HANDLE HEAD	CF8
2	ANCHOR	CF8M
3	ANCHOR SCREW	SS 316
4	SPRING ROD	SS 316
5	SPRING	SS 301
6	HANDLE EXTENSION	SS 304
7	SLEEVE	PVC
8	WASHER	SS 304
9	HEX NUT	SS 304
10	SOCKET HEAD SCREW	SS 304

DIMENSIONS (mm)

SIZE	L	J	D (ISO5211)
1/4"~3/4"	170	9	F03/F04
1" & 1-1/4"	220	11	F04
1-1/2" & 2"	280	14	F05

SPECIFICATION

- * Stainless Steel spring return handle
- * heavy duty design
- * for ISO 5211 direct mounting pad

OPTION

- * locking devices

