

ETG DWSG/150 SIGHT GLASS

ANSI-150LB FLANGE END

TC642 STAINLESS STEEL 304A351Gr-CF8 -ANSI-150LB
 TC643 STAINLESS STEEL 316/A351Gr-CF8M-ANSI-150LB

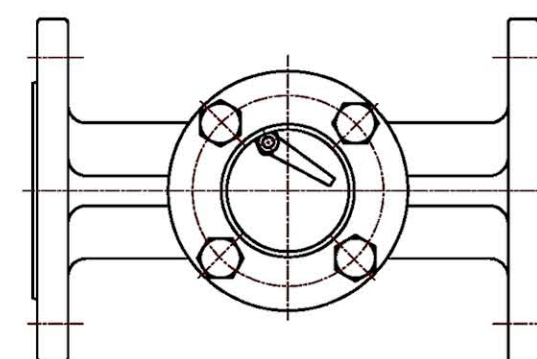
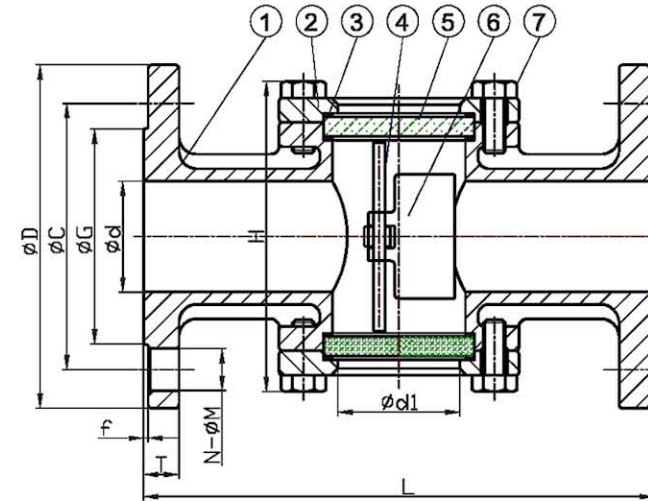
EDITION:A/0

MATERIALS LIST:

NO.	PART NAME	MATERIAL
1	BODY	CF8 / CF8M
2	CAP	CF8 / CF8M
3	GASKET	PTFE
4	STEM	SUS304 / SUS316
5	GLASS PARCEL	GLASS
6	INDICATOR	CF8 / CF8M
7	BOLT	SUS304

DIMENSIONS:

SIZE	d	d1	L	H	D	C	G	f	T	N-ØM	
1/2"	15	15	35	130	115	89	60.5	35	1.6	11.1	4-Ø16
3/4"	20	20	35	150	115	98	70.0	43	1.6	11.1	4-Ø16
1"	25	25	35	160	115	108	79.5	51	1.6	11.1	4-Ø16
1 1/4"	32	32	55	180	143	117	89.5	64	1.6	12.7	4-Ø16
1 1/2"	40	40	55	200	143	127	98.5	73	1.6	14.3	4-Ø16
2"	50	50	55	230	143	152	120.5	92	1.6	15.9	4-Ø19
2 1/2"	65	65	85	290	185	178	139.5	105	1.6	17.5	4-Ø19
3"	80	80	85	310	196	190	152.5	127	1.6	19.1	4-Ø19
4"	100	100	110	350	228	229	190.5	157	1.6	23.9	8-Ø19
6"	150	150	160	480	310	279	241.5	216	1.6	25.4	8-Ø22



FEATURES:

- FACE TO FACE DIMENSIONS: DIN 3202-F1
- END FLANGE DIMENSIONS: ANSI B16.5
- DESIGN: ANSI B16.34
- TEST: API 598
- INVESTMENT CASTING BODY

G.C. Supplies UK Limited

