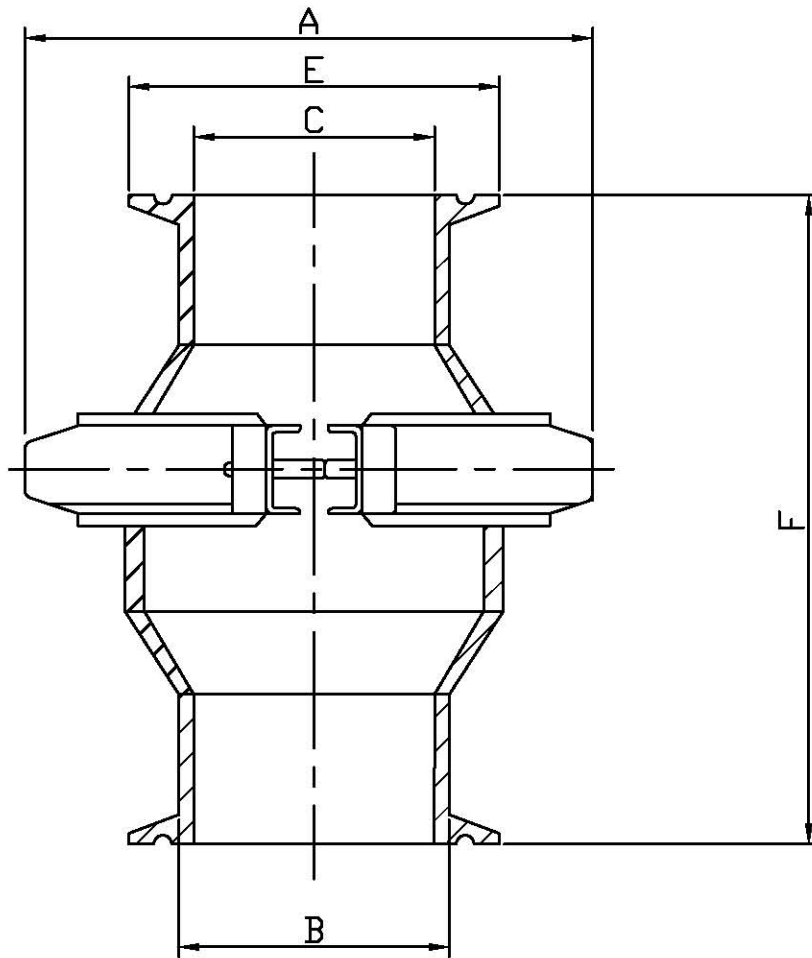
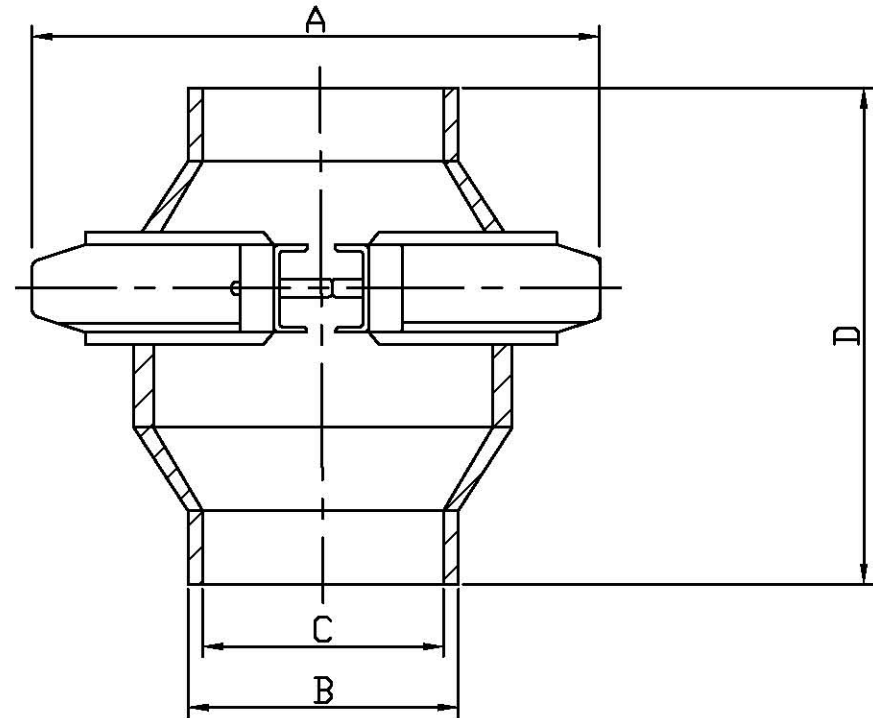


# CLAMP TYPE



S.S./304/316/316L

# WELDED TYPE



SIZE	A	B	C	D	E	F
1"	82.0	25.4	22.1	76.0	50.5	86.0
1.5"	95.5	38.1	34.8	79.0	50.5	93.0
2"	109.0	50.8	47.5	84.0	64.0	103.0
2.5"	137.0	63.5	60.2	95.0	77.5	114.0
3"	148.0	76.2	72.9	103.0	91.0	121.0
4"	164.0	101.6	97.4	103.0	119.0	121.0

G.C. SUPPLIES UK LTD  
 TEL:+44 (0) 161-681-8114  
 FAX:+44 (0) 161-947-0148

DESC  
 APPROVED BY.  
 DRAWER

CHECK VALVE

*Y.J. Lee*

DRAWING #  
 DATE  
 MATERIAL

ETG-ODSPV  
 09/11/2009

MODIFICATION