

G.C. Supplies UK Limited

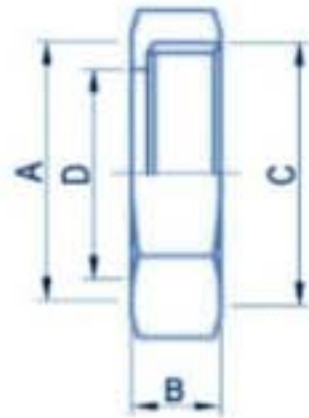
Data Sheets for RJT, IDF & SMS Unions

Table of Contents

RJT Unions	Page 2
RJT Hexagon Nut	Page 2
RJT Male Part	Page 2
RJT Pressed liner	Page 3
RJT "O" Ring Seal	Page 3
RJT Hexagon Blank Nut & Chain	Page 4
RJT Pressed Blank	Page 4
RJT Cast Aluminium Spanner	Page 5
IDF Unions	Page 6
IDF Hexagon Nut	Page 6
IDF Male Part	Page 6
IDF Liner	Page 7
IDF "T" Section Seal	Page 7
IDF Hexagon Blank Nut & Chain	Page 8
IDF Machined Blank	Page 8
SMS Unions	Page 9
SMS Round Slotted	Page 9
SMS Male Part	Page 9
SMS Liner	Page 10
SMS Lipped Seal	Page 10
SMS Round Slotted Blank Nut & Chain	Page 11
SMS Machined Blank	Page 11

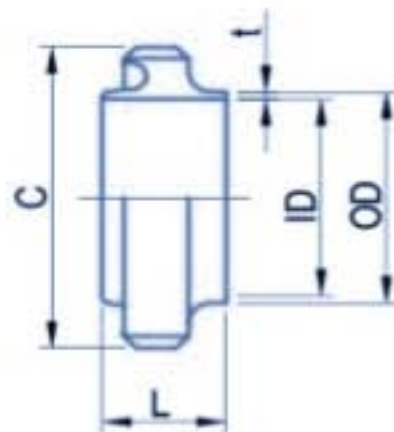
RJT Unions BS4825 Part 5

RJT Hexagon Nut 304 Stainless Steel



Size	A (A/F)	B	C	D
1"	50.8 mm	22.2 mm	42.266 mm (8 TPI Whitworth)	33.3 mm
1.5"	65.0 mm	22.2 mm	54.966 mm (8 TPI Whitworth)	46.0 mm
2"	79.4 mm	22.2 mm	67.920 mm (6 TPI Whitworth)	58.7 mm
2.5"	92.1 mm	22.2 mm	80.620 mm (6 TPI Whitworth)	71.4 mm
3"	104.8 mm	22.2 mm	93.320 mm (6 TPI Whitworth)	84.1 mm
4"	130.2 mm	22.2 mm	118.720 mm (6 TPI Whitworth)	109.5 mm

RJT Male Part 316L

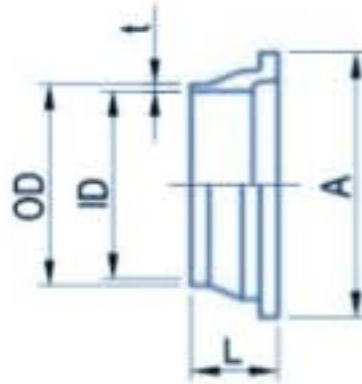


Size	O/D	I/D	C	L	Wall (t)
1"	25.4 mm	22.2 mm	45.72 mm (8 TPI Whitworth)	26.3 mm	1.6 mm
1.5"	38.1 mm	34.9 mm	58.42 mm (8 TPI Whitworth)	26.3 mm	1.6 mm
2"	50.8 mm	47.6 mm	72.72 mm (6 TPI Whitworth)	26.3 mm	1.6 mm
2.5"	63.5 mm	60.3 mm	85.42 mm (6 TPI Whitworth)	26.3 mm	1.6 mm
3"	76.2 mm	73.0 mm	98.12 mm (6 TPI Whitworth)	26.3 mm	1.6 mm
4"	101.6 mm	97.6 mm	123.52 mm (6 TPI Whitworth)	26.3 mm	2.0 mm

G.C. Supplies UK Limited

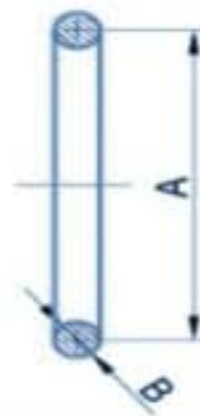
RJT Unions BS4825 Part 5

RJT Pressed Liner 316L



Size	O/D	I/D	A	L	Wall (t)
1"	25.4 mm	22.2 mm	41.3 mm	12.7 mm	1.6 mm
1.5"	38.1 mm	34.9 mm	54.0 mm	12.7 mm	1.6 mm
2"	50.8 mm	47.6 mm	66.7 mm	12.7 mm	1.6 mm
2.5"	63.5 mm	60.3 mm	79.4 mm	12.7 mm	1.6 mm
3"	76.2mm	73.0 mm	92.1 mm	12.7 mm	1.6 mm
4"	101.6 mm	87.6 mm	117.5 mm	12.7 mm	2.0 mm

RJT "O" Ring Seal

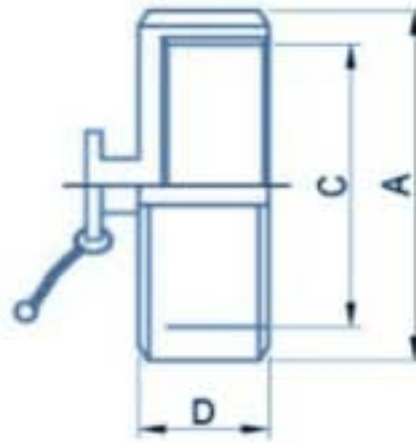


Size	A	B
1"	33.3 mm	6.6 mm
1.5"	46.0 mm	6.6 mm
2"	58.7 mm	6.6 mm
2.5"	71.4 mm	6.6 mm
3"	84.1 mm	6.6 mm
4"	109.5 mm	6.6 mm

G.C. Supplies UK Limited

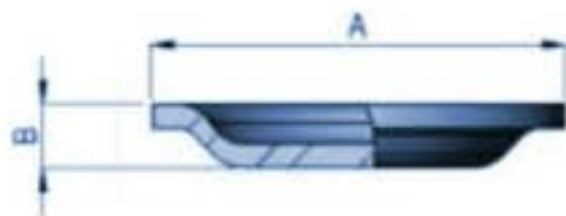
RJT Unions BS4825 Part 5

RJT Hexagon Blank Nut & Chain



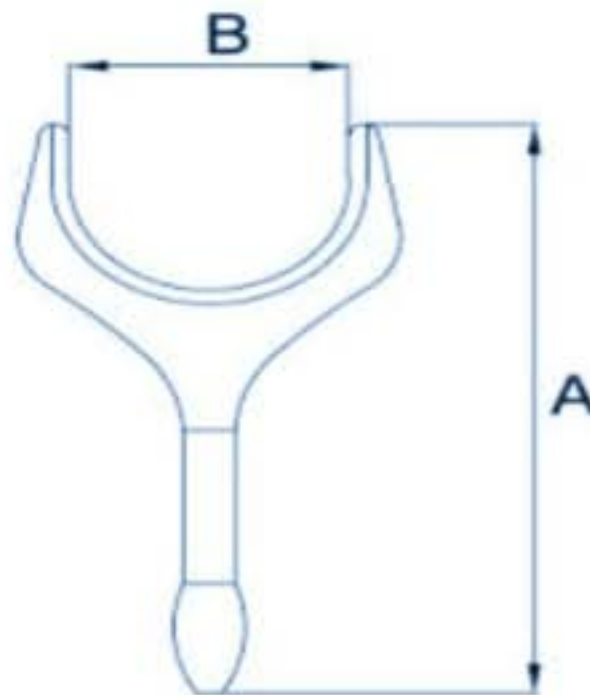
Size	A (A/F)	C	D
1"	50.8 mm	42.266 mm (8 TPI Whitworth)	22.2 mm
1.5"	65.0 mm	54.966 mm (8 TPI Whitworth)	22.2 mm
2"	79.4 mm	67.920mm (6 TPI Whitworth)	22.2 mm
2.5"	92.1 mm	80.620 mm (6 TPI Whitworth)	22.2 mm
3"	104.8 mm	93.320 mm (6 TPI Whitworth)	22.2 mm
4"	130.2 mm	118.720 mm (6 TPI Whitworth)	22.2 mm

RJT Pressed Blank



Size	A	B
1"	41.3 mm	8.7 mm
1.5"	54.0 mm	8.7 mm
2"	66.7 mm	8.7 mm
2.5"	79.4 mm	8.7 mm
3"	92.1 mm	8.7 mm
4"	117.5 mm	8.7 mm

RJT Cast Aluminium Spanner



Size	A	B
1"	250 mm	52 mm
1.5"	290 mm	66 mm
2"	305 mm	80 mm
2.5"	340 mm	93 mm
3"	370 mm	106 mm
4"	450 mm	131 mm

G.C. Supplies UK Limited are able to offer a wide range of products and services for the Brewery, Cosmetics, Chemical, Food and Beverage industries.

Our services include Cutting, Welding, Threading, Drilling, Tapping, Boring, Polishing and Pipework Fabrication.

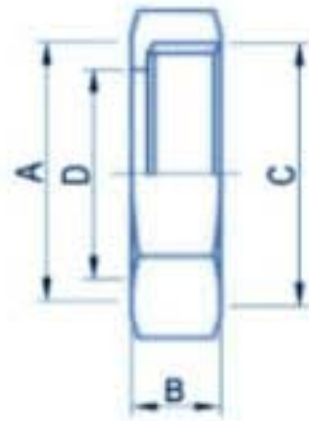
For more information, please contact our experienced sales team on

0161 681 1842

G.C. Supplies UK Limited

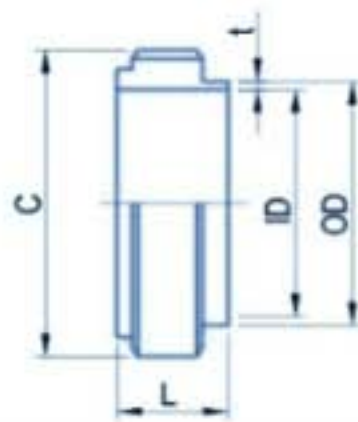
IDF Unions BS4825 Part 4

IDF Hexagon Nut 304 Stainless Steel



Size	A (A/F)	B	C	D
1"	46 mm	30 mm	34.34 mm (8 TPI ACME)	30.5 mm
1.5"	60 mm	30 mm	47.86 mm (8 TPI ACME)	43.5 mm
2"	75 mm	30 mm	61.37 mm (8 TPI ACME)	57.0 mm
2.5"	90 mm	30 mm	74.88 mm (8 TPI ACME)	70.7 mm
3"	105 mm	30 mm	88.40 mm (8 TPI ACME)	83.3 mm
4"	133 mm	34 mm	122.05 mm (6 TPI ACME)	112 mm

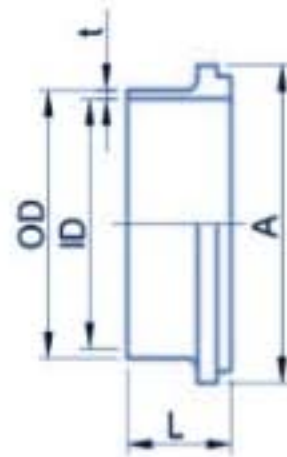
IDF Male Part 316L



Size	O/D	I/D	C	L	Wall (t)
1"	25.4 mm	22.1 mm	37.1 mm (8 TPI ACME)	21.5 mm	1.65 mm
1.5"	38.1 mm	34.8 mm	50.6 mm (8 TPI ACME)	21.5 mm	1.65 mm
2"	50.8 mm	47.5 mm	64.1 mm (8 TPI ACME)	21.5 mm	1.65 mm
2.5"	63.5 mm	60.2 mm	77.6 mm (8 TPI ACME)	21.5 mm	1.65 mm
3"	76.2 mm	72.9 mm	91.1 mm (8 TPI ACME)	21.5 mm	1.65 mm
4"	101.6 mm	97.6 mm	125.9 mm (6 TPI ACME)	30.0 mm	2.0 mm

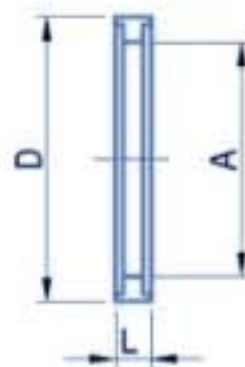
IDF Unions BS4825 Part 4

IDF Liner 316L



Size	O/D	I/D	A	L	Wall (t)
1"	25.4 mm	22.1 mm	33.8 mm	21.5 mm	1.65 mm
1.5"	38.1 mm	34.8 mm	47.0 mm	21.5 mm	1.65 mm
2"	50.8 mm	47.5 mm	60.5 mm	21.5 mm	1.65 mm
2.5"	63.5 mm	60.2 mm	74.0 mm	21.5 mm	1.65 mm
3"	76.2 mm	72.9 mm	87.5 mm	21.5 mm	1.65 mm
4"	101.6 mm	97.6 mm	120.7 mm	30.0 mm	2.0 mm

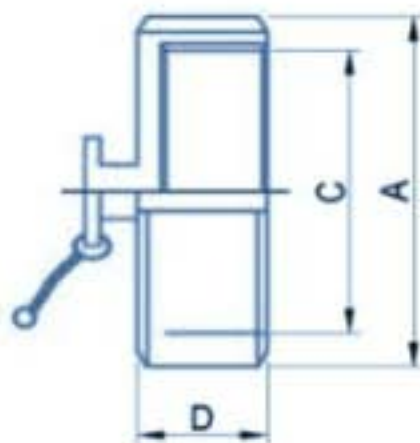
IDF "T" Section Seal



Size	A	D	L
1"	23.0 mm	32.5 mm	7.0 mm
1.5"	36.0 mm	46.0 mm	7.0 mm
2"	49.0 mm	59.5 mm	7.0 mm
2.5"	60.7 mm	73.2 mm	7.0 mm
3"	73.2 mm	86.5 mm	7.0 mm
4"	98.0 mm	112.5 mm	7.0 mm

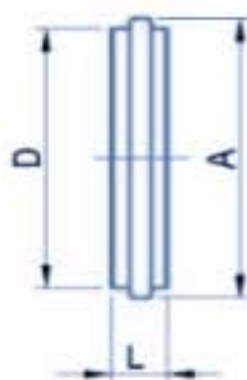
IDF Unions BS4825 Part 4

IDF Hexagon Blank Nut & Chain



Size	A (A/F)	C	D
1"	46 mm	34.34 mm (8 TPI ACME)	30 mm
1.5"	60 mm	47.86 mm (8 TPI ACME)	30 mm
2"	75 mm	61.37 mm (8 TPI ACME)	30 mm
2.5"	90 mm	74.88 mm (8 TPI ACME)	30 mm
3"	105 mm	88.40 mm (8 TPI ACME)	30 mm
4"	133 mm	122.05 mm (6 TPI ACME)	34 mm

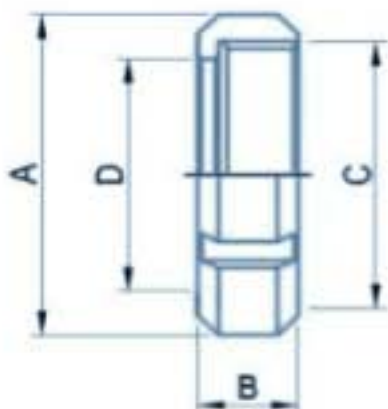
IDF Machined Blank



Size	A	D	L
1"	33.8 mm	29.2 mm	10.5 mm
1.5"	47.0 mm	42.7 mm	10.5 mm
2"	60.5 mm	56.2 mm	10.5 mm
2.5"	74.0 mm	69.9 mm	10.5 mm
3"	87.5 mm	82.6 mm	10.5 mm
4"	114.1 mm	111.1 mm	12.6 mm

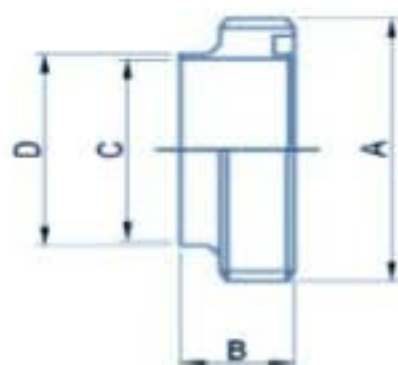
SMS Unions

SMS Round Slotted Nut 304 Stainless Steel



Size	A	B	C	D
1"	51 mm	19 mm	RD40 * 1/6	32.3 mm
1.5"	74 mm	23 mm	RD60 * 1/6	48.5 mm
2"	84 mm	24 mm	RD70 * 1/6	61.0 mm
2.5"	100 mm	28 mm	RD85 * 1/6	74.0 mm
3"	114 mm	30 mm	RD98 * 1/6	87.0 mm
4"	138 mm	31 mm	RD125 * 1/4	113.0 mm
104-B	150 mm	31 mm	RD132 * 1/6	113.0 mm

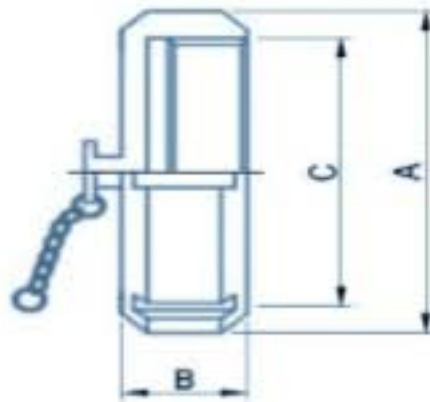
SMS Male Part 316L



Size	A	B	C	D
1"	RD40 * 1/6	19 mm	22.2 mm	25.4 mm
1.5"	RD60 * 1/6	23 mm	34.9 mm	38.1 mm
2"	RD70 * 1/6	23 mm	47.6 mm	50.8 mm
2.5"	RD85 * 1/6	27 mm	60.3 mm	63.5 mm
3"	RD98 * 1/6	27 mm	72.9 mm	76.1 mm
4"	RD125 * 1/4	30 mm	97.6 mm	101.6 mm
104-B	RD132 * 1/6	30 mm	97.6 mm	101.6 mm

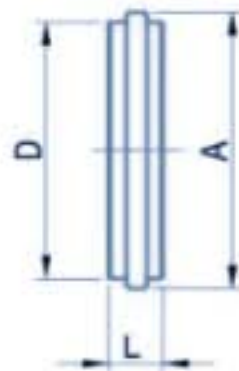
SMS Unions

SMS Round Slotted Blank Nut & Chain



Size	A	C	B
1"	51 mm	RD40 * 1/6	19 mm
1.5"	74 mm	RD60 * 1/6	23 mm
2"	84 mm	RD70 * 1/6	24 mm
2.5"	100 mm	RD85 * 1/6	28 mm
3"	114 mm	RD98 * 1/6	30 mm
4"	138 mm	RD125 * 1/4	31 mm
104-B	150 mm	RD132 * 1/6	31 mm

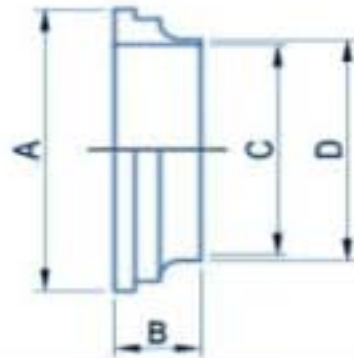
SMS Machined Blank



Size	A	D	L
1"	35.5 mm	32.3 mm	7.5 mm
1.5"	55.0 mm	48.5 mm	8.0 mm
2"	65.0 mm	61.0 mm	9.0 mm
2.5"	80.0 mm	74.0 mm	9.0 mm
3"	93.0 mm	87.0 mm	11 mm
4"	118.0 mm	113.0 mm	11 mm
104-B	118.0 mm	113.0 mm	11 mm

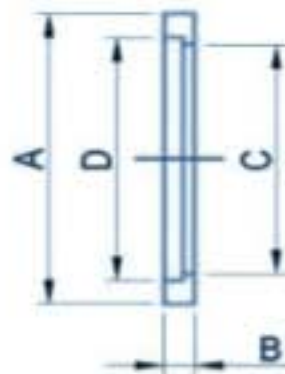
SMS Unions

SMS Liner 316L



Size	A	B	C	D
1"	35.5 mm	17 mm	22.2 mm	25.4 mm
1.5"	55.0 mm	20 mm	34.9 mm	38.1 mm
2"	65.0 mm	20 mm	47.6 mm	50.8 mm
2.5"	80.0 mm	25 mm	60.3 mm	63.5 mm
3"	93.0 mm	30 mm	72.9 mm	76.1 mm
4"	118.0 mm	19 mm	97.6 mm	101.6 mm
104-B	118.0 mm	19 mm	97.6 mm	101.6 mm

SMS Lipped Seal



Size	A	B	C	D
1"	31.8 mm	5.3 mm	22.8 mm	25.1 mm
1.5"	47.8 mm	5.3 mm	35.8 mm	38.1 mm
2"	60.8 mm	5.3 mm	48.8 mm	51.1 mm
2.5"	73.3 mm	5.3 mm	61.0 mm	63.6 mm
3"	85.8 mm	5.3 mm	73.4 mm	76.1 mm
4"	115.7 mm	5.3 mm	100.5 mm	104 mm
104-B	115.7 mm	5.3 mm	100.5 mm	104 mm