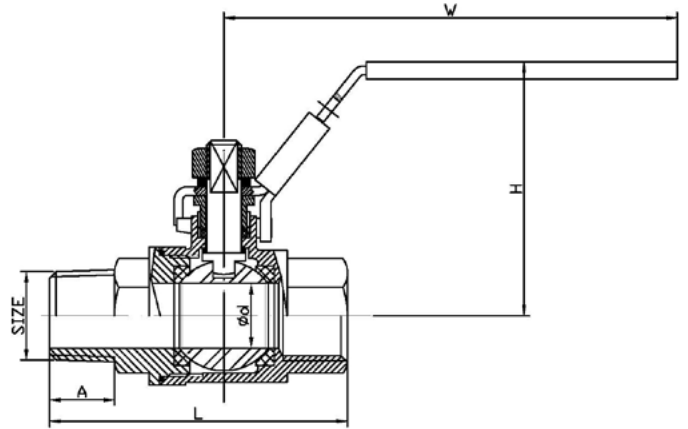


## 2-Pce Male x Female Full Bore Ball Valve lever operated



- ASTM A351 CF8M 316 Stainless Steel construction, 316 Trim.
- PTFE Seats and Seals. Adjustable gland. Slide type Locking Lever. 1000 psi/g Pressure rated.
- -20 / + 180 Deg C Temperature rated.
- Pressure balance hole in Ball Slot.
- BSP Screwed end connections.
- CE marked (sizes 1.1/4" upward) in accordance with the PED 2014/68/EU.

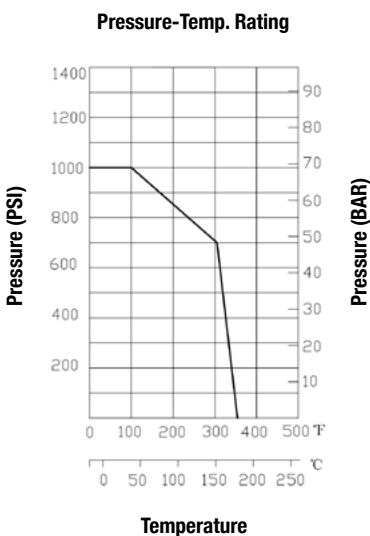
A good quality, general purpose ball valve suitable for most Liquid and Gaseous duties. Ball can be drilled for upstream vent applications such as bleach and peroxide duties.

**Full material Test Certificates available**

**Test standard – API 598**

**BSP Ends - ISO 7-1 (Female) BS21 Taper (Male)**

**Available size range: 1/4" - 2"**



Item	Part	Material	Qty.
1	Handle Cover	PLASTIC	1
2	Body	CF8M	1
3	Ball Seat	PTFE	2
4	Ball	CF8M	1
5	Cap	CF8M	1
6	Thrust Washer	PTFE	1
7	Stem Packing	PTFE	1
8	Gland Nut	304	1
9	Spring Washer	304	1
10	Stem Nut	304	1
11	Stem	316	1
12	Locking Device	304	1
13	Handle	304	1

SIZE	d	A	L	H	W
1/4"	9.2	12.5	62	50	98
3/8"	12.8	13	64	50	98
1/2"	15	15	69	50	100
3/4"	20	16.5	80.5	53	100
1"	25	19	95	68.5	128
1-1/4"	32	22	107	72.5	128
1-1/2"	38	22	120	81	143
2"	50	26	142	99	143