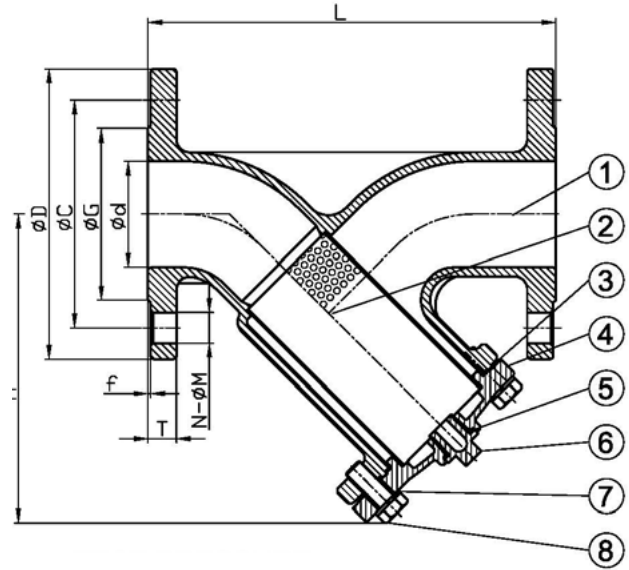


Y-Type Strainer Flanged ANSI 150

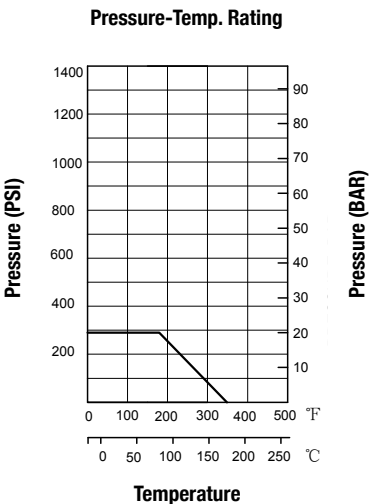


- ASTM A351 CF8M 316 Stainless Steel Body and Cover.
- PTFE Cover Seal. 316 Stainless Steel Filter Element.
- 316 Stainless Steel Drain Plug in Cover.
- Bolted Cover design.
- Face to Face dimensions in accordance with ANSI B16.10
- Class 150 pressure rated.
- -20 / +200 deg C Temp rated.
- Flanged ANSI 150 end connections.
- CE Marked in accordance with PED 2014/68/EU (from 1.1/2").
- Element std perf 1.5mm (1/2" - 1") & 2mm (1.1/2" - 10").

Design standard – ANSI B16.34

Test standard – API 598

Available size range: 1/2" - 10"



| Item | Part | Material | Qty. |
|------|----------------|----------|------|
| 1 | Body | CF8M | 1 |
| 2 | Screen | SUS316 | 1 |
| 3 | Gasket | PTFE | 1 |
| 4 | Bonnet | CF8M | 1 |
| 5 | Gasket | PTFE | 1 |
| 6 | Stopper | CF8M | 1 |
| 7 | Spring Washers | SUS304 | 1 |
| 8 | Bonnet Bolt | SUS304 | 1 |

| SIZE | d | L | H | D | C | G | f | T | N-øM |
|--------|-----|-----|-----|-----|-------|-----|-----|------|--------|
| 1/2" | 15 | 120 | 85 | 89 | 60.5 | 35 | 1.6 | 12.1 | 4-ø16 |
| 3/4" | 20 | 140 | 87 | 98 | 70 | 43 | 1.6 | 12.1 | 4-ø16 |
| 1" | 25 | 150 | 114 | 108 | 79.5 | 51 | 1.6 | 12.1 | 4-ø16 |
| 1-1/4" | 32 | 180 | 114 | 117 | 89.5 | 64 | 1.6 | 12.7 | 4-ø16 |
| 1-1/2" | 40 | 190 | 135 | 127 | 98.5 | 73 | 1.6 | 14.3 | 4-ø16 |
| 2" | 50 | 210 | 155 | 152 | 120.5 | 92 | 1.6 | 15.9 | 4-ø19 |
| 2-1/2" | 65 | 250 | 189 | 178 | 139.5 | 105 | 1.6 | 17.5 | 4-ø19 |
| 3" | 80 | 280 | 200 | 190 | 152.5 | 127 | 1.6 | 19.1 | 8-ø19 |
| 4" | 100 | 340 | 232 | 229 | 190.5 | 157 | 1.6 | 23.9 | 8-ø19 |
| 5" | 125 | 380 | 274 | 254 | 216 | 186 | 1.6 | 23.9 | 8-ø22 |
| 6" | 150 | 420 | 326 | 279 | 241.5 | 216 | 1.6 | 25.4 | 8-ø22 |
| 8" | 200 | 500 | 397 | 343 | 298.5 | 270 | 1.6 | 28.6 | 8-ø22 |
| 10" | 250 | 730 | 512 | 406 | 362 | 324 | 1.6 | 30.2 | 12-ø25 |