

3-Pce Full Bore Hygienic/Sanitary Cavity Filled Direct Mount Ball Valve with Weld Ends



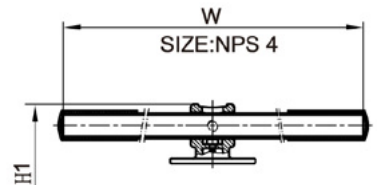
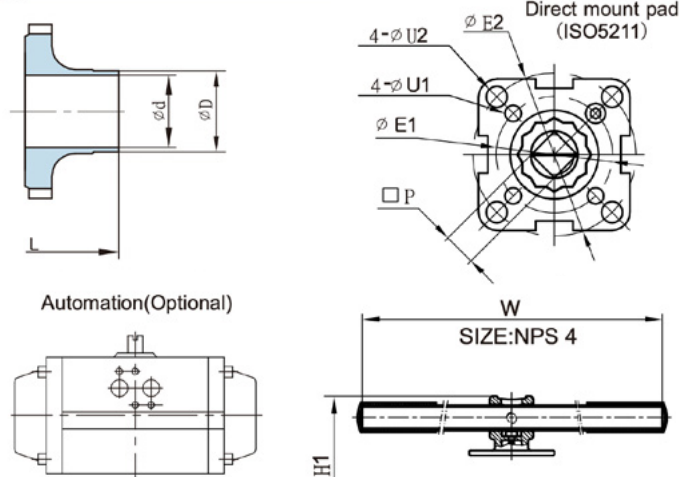
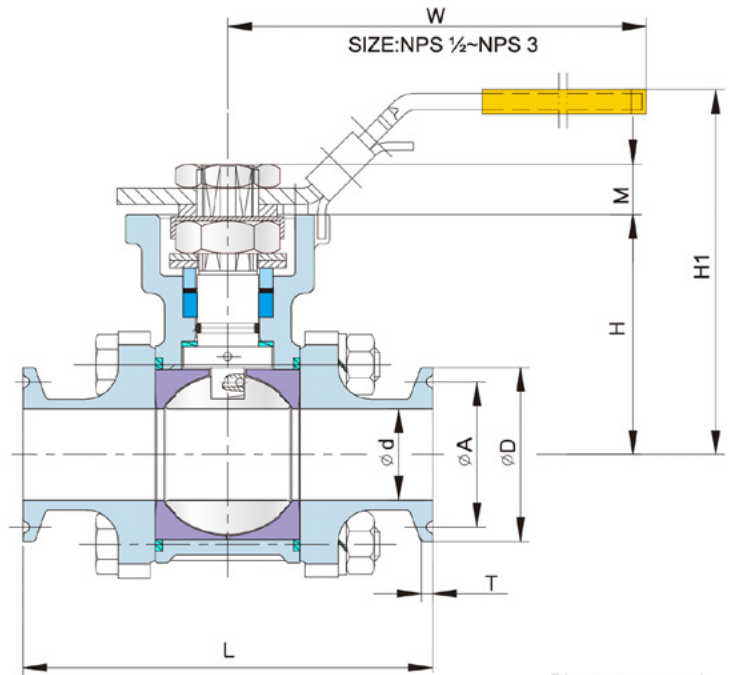
- ASTM A351 CF8M 316 Stainless Steel body construction, CF3M 316L Weld Ends, 316 Trim.
- TFM 1600® Cavity Filled Seats and Seals.
- Ta-Luft self adjusting stem sealing. Nace MR-0175 compliant.
- ISO 5211 Direct Mounting Pad and Square Stem for automation.
- Anti-Static devices for Ball-Stem-Body. ATEX approved.
- 400 psi/g pressure rated.
- Chemically polished external surface, Mechanical polish Ra 32 / 0.8um Internal.
- Suitable for Clean Steam and Steam Sterilisation duties up to 200 Deg C.
- Silicone Free. Valve is suitable for use on Oil based Paints.
- Certified as being non-Bovine and TSE (Transmissible Spongiform Encephalopathy) Free for all manufacturing and packaging processes.

Design Rating: MSS SP-110, BS4825

Inspection & Testing: MSS SP-110

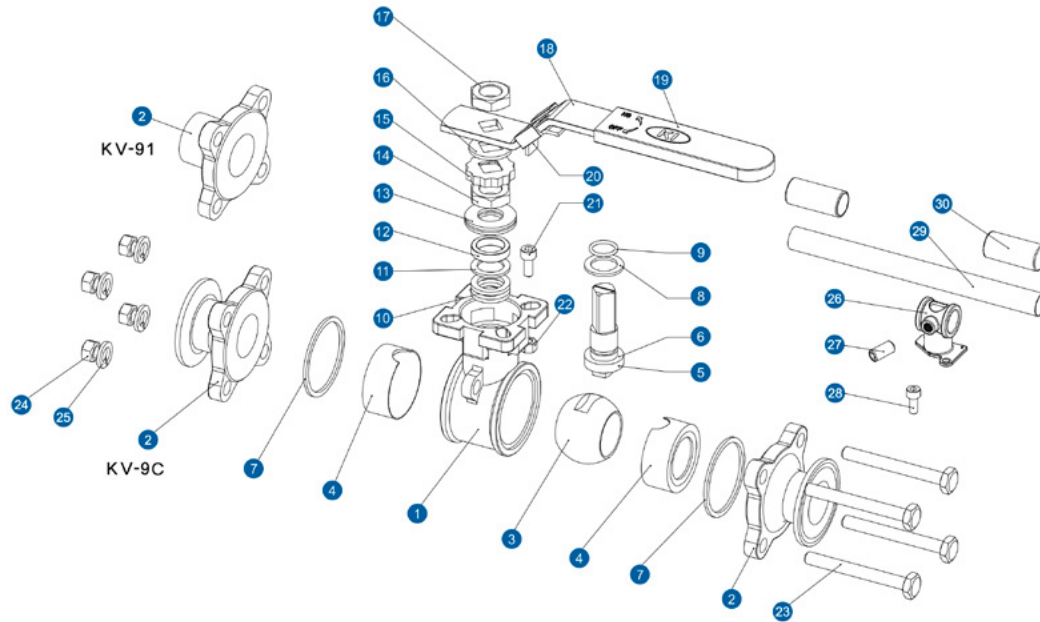
End connections: BS4825 1.6mm (2mm @ 4")

Available size range: 1/2" O/D - 4" O/D



SIZE	CV	Weight	
		kg	lb
1/2"	18	0.65	1.43
3/4"	36	0.92	2.02
1"	48	1.31	2.9
1-1/2"	165	2.84	6.25
2"	207	4.25	9.37
2-1/2"	450	7.9	17.42
3"	780	11.35	25.02
4"	1360	22	48.5

SIZE	d	D	L	H	H1	W	P	M	E1	E2	U1	U2	ISO 5211
1/2"	9.5	12.7	90	42	72	147	9	9	36	42	6	6	F03~F04
3/4"	15.85	19.05	90	49	79	147	9	9	36	50	6	7	F03~F05
1"	22.2	25.4	100	58	90	177	11	11	42	50	6	7	F04~F05
1-1/2"	34.9	38.1	125	71	103	197	14	14	50	70	7	9	F05~F07
2"	47.6	50.8	150	78	110	197	14	14	50	70	7	9	F05~F07
2-1/2"	60.3	63.5	190	100	150	267	17	17	70	102	9	11	F07~F10
3"	73	76.2	220	109	159	267	17	17	70	102	9	11	F07~F10
4"	97.6	101.6	270	140	212	400	22	22	-	102	-	11	F10



Item	Part	Material	Qty.
1	Body	CF8M	1
2	End Cap	CF3M	2
3	Ball	CF8M	1
4	Ball Seat	TFM1600	1
5	Stem	316	1
6	Anti-Static	316	1
7	Body Gasket	PTFE	1
8	Thrust Washer	PTFE	1
9	O-Ring	FKM	1
10	Packing	PTFE	1
11	Bushing	304	1
12	Gland	316	1
13	Belleville Washer	301	1
14	Stem Nut	A194-8	1
15	Stop-lock-Cap	304	1

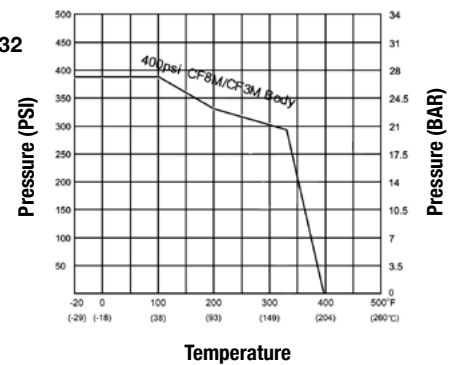
Item	Part	Material	Qty.
16	Handle Gland	304	1
17	Handle Nut	A194-8	1
18	Handle	304	1
19	Handle Sleeve	Vinyl Plastic	1
20	Lock Device	304	1
21	Stop Bolt	A2-70	1
22	Stop Nut	A2-70	1
23	Bolting	A2-70	1
24	Bolt Nut	A2-70	1
25	Bolt Washer	304	1
26	Handle Adapter	A351-CF8	1
27	Set Screw	A2-70	1
28	Bolting	A2-70	1
29	Pipe Handle	A53+Plated Zn	1
30	Handle Sleeve	Vinyl Plastic	1

Torque Values

Size	5 bar (N-m)	10 bar (N-m)	20 bar (N-m)	25 bar (N-m)
1/2"	5	5	5	5
3/4"	6	6	6	6
1"	10	10	11	11
1-1/2"	19	19	22	24
2"	25	29	32	34
2-1/2"	40	45	49	52
3"	65	72	81	88
4"	100	110	122	132

Pressure-Temp. Rating

DN15~DN32



DN40~DN100

