

Media : air – water – oil – steam  
 Pressure range : 0 to 16 bar Max  
 Media temperature : -10° to +200 °C max  
 Ambient temperature: +5° to +60°  
 Media viscosity : 600 centistokes max  
 Mounting : any position  
 Pilot Media : air – water – gas  
 Pilot Pressure : 5 to 8 Bar

# Piston Stainless

## 3/8 - 3

### ANGLE SEAT PISTON VALVE

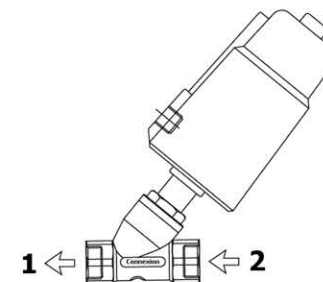
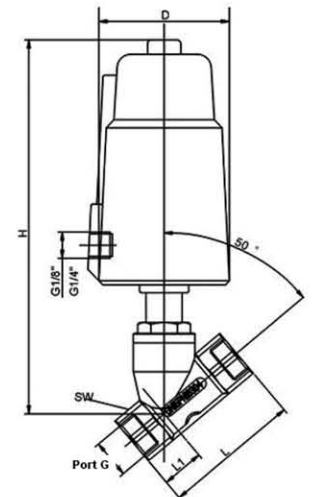
### 2 WAY AIR DIRECT ACTING

### 0 – 16 Bar

## Type ASPVSS-B



Fig ETG ASPVSS-B



#### PRESSURE

Ø Port BSP	Function	Ø Orifice (mm)	Flow Kv Ltr/Min	Pressure (bar) ΔP			Actuator (mm)	Part Number
				Min	1↔2 Over Seat	1→2 Under seat		
3/8	N/Closed	10	75	0	16	8	40	ASPV10SS-B
1/2	N/Closed	15	90	0	16	8	40	ASPV15SS-B
3/4	N/Closed	20	167	0	16	8	50	ASPV20SS-B
1	N/Closed	25	253	0	16	8	50	ASPV25SS-B
1 1/4	N/Closed	32	383	0	16	8	63	ASPV32SS-B
1 1/2	N/Closed	40	683	0	16	8	80	ASPV40SS-B
2	N/Closed	50	1183	0	16	8	80	ASPV50SS-B
2 1/2	N/Closed	65	1800	0	16	16	100	ASPV65SS-B
3	Double Acting	80	2667	0	16	16	125	ASPV80SS-B

#### OPTIONS

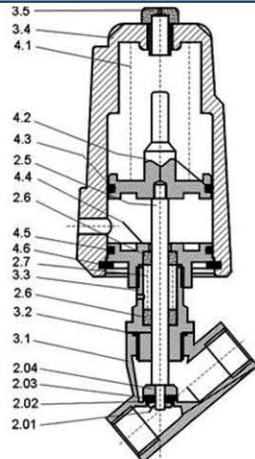
Visual Position Indicator (Except 3 (Double acting))  
 Anti water hammer flow 1 → 2 (Flow under seat)  
 Normally Open Version (Except ASPV80SS double acting)  
 Open Position Proximity Switch (Black Synthetic Actuator only)  
 Modulating, Position Switch, Normally Open, Double Acting, 3 Way, Flanged and other custom made options available upon request

#### CONSTRUCTION

Body, Tube, Piston and internal parts : AISI316 (CF8M) stainless steel  
 Actuator : AISI304 stainless steel (Rotation 360°)  
 Seals and gaskets : Valve - PTFE Actuator - FKM  
 Moulded coil : Resin

#### OVERALL DIMENSIONS

Parts List	
2.01 Bolt	
2.02 Orifice Plate Seal	
2.03 Disc Seal	
2.04 Disc	
2.5 Steam	
2.6 V Seal	
2.7 Spring	
3.1 Body	
3.2 Seal Ring	
3.3 Screw connector	
3.4 Cylinder	
3.5 Cover	
4.1 Spring	
4.2 Piston	
4.3 O ring	
4.4 Bonnet	
4.5 O Ring	
4.6 Bearing Ring	



DN	Port	L	L1	SW	H	D	Act	Pilot
10	3/8	55	17	21	120	51	40	1/8
15	1/2	70	21	26.5	138	51	40	1/8
20	3/4	76	23	32	154	62	50	1/8
25	1	90	25	40	168	62	50	1/8
32	1 1/4	116	32	50	200	76	63	1/8
40	1 1/2	116	32	55.5	215	92	80	1/8
50	2	138	40	68.5	230	92	80	1/8
65	2 1/2	168	51	85	268	117	100	1/4
80	3	192	54	100	325	140	125	1/4