

ETG DWSG SIGHT GLASS SCREWED END

TC650 SUS316 A351 Gr-CF8M DIN1.4408

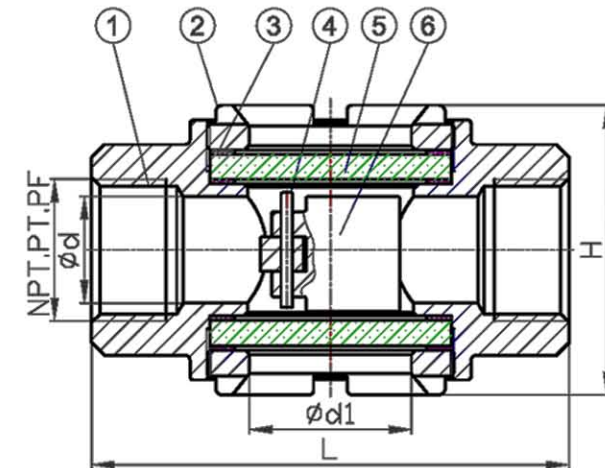
EDITION:A/0

MATERIALS LIST:

NO.	PART NAME	MATERIAL
1	BODY	CF8M
2	CAP	CF8M
3	GASKET	PTFE
4	STEM	SUS316
5	GLASS PARCEL	GLASS
6	INDICATOR	CF8M

DIMENSIONS:

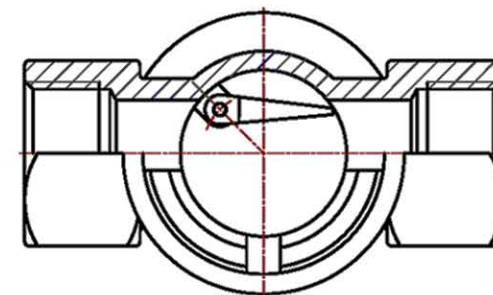
SIZE		d	d1	L	H
DN	NPS				
15	1/2"	15	38	112	68
20	3/4"	20	38	112	68
25	1"	25	38	112	68
32	1 1/4"	32	45	145	110
40	1 1/2"	40	45	145	110
50	2"	50	55	168	131



FEATURES:

- PIPE THREAD IN ACCORDANCE: NPT, BSPT, DIN259, DIN2999, ISO 228 CLASS A
- INVESTMENT CASTING BODY
- MATERIAL:

SUS316/ASTM A351Gr-CF8M/DIN1.4408



G.C. Supplies UK Limited



6D-0541