

1 2 3 4 5 6 7 8

A

B

C

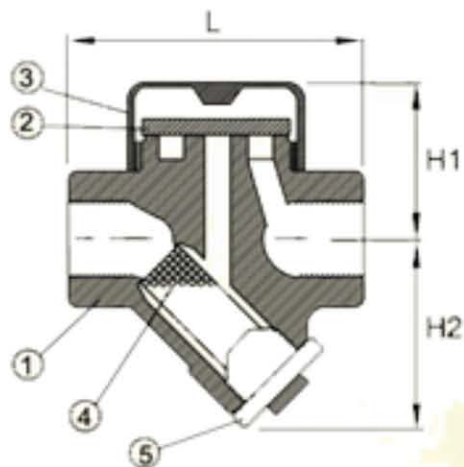
D

E

F

MATERIAL OF CONSTRUCTION

NO	Parts name	Material
1	Body	A351-CF8M
2	Disc	AISI 420
3	Cap	A351-CF8M
4	Screen	SUS 304
5	Strainer cap	A351-CF8M



INCH	L	H1	H2	KG
3/8"	78	46	53	1
1/2"	78	46	53	1
3/4"	88	49	57	1.1
1"	98	51	63	1.4

						1/2" - 1"	Material NO.				
						Thermo-Dynamic	Draw. NO.		9130□□□□0014641		
						Steam Trap	Material		CF8M/CF8	Edition	1
Mark	Amount	Subarea	Revision NO	Signature	Date	Projection	Weight		Page of		
Drawing	吴为	000725	Rockcheck			Propotion					
Design	周广利	060525				TL-63SS					
Check	张保民	090725									
Standardization			Approve								

1 2 3 4 5 6 7 8