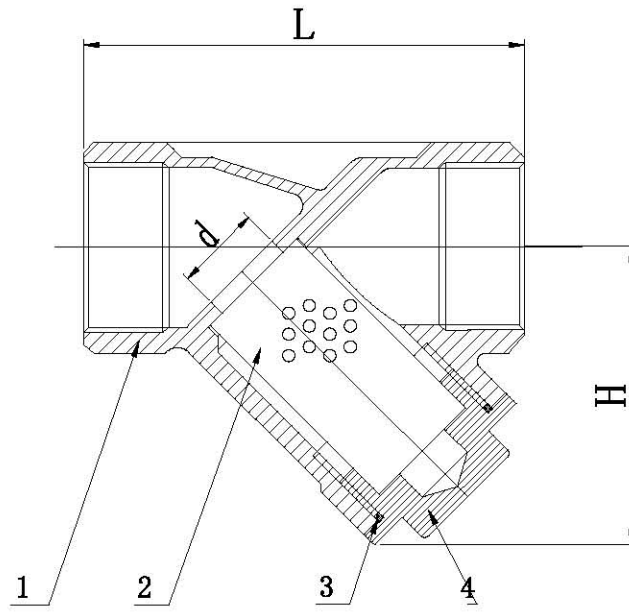


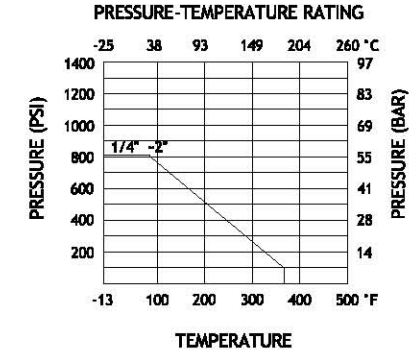
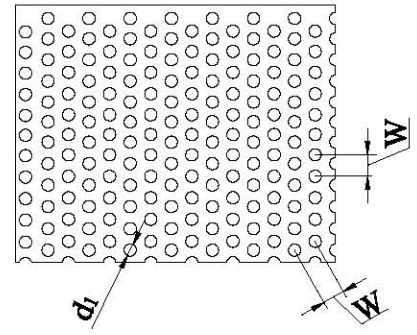
SIZE	1/4	3/8	1/2	3/4	1	1 1/4	1 1/2	2
A	12	12	15	20	25	32	40	50
B	24	24	26	33	41	49	56	69
H	41.5	41.5	41.5	52.5	67.5	71	80.5	95
L	65	65	65	80	90	105	120	140
F	1/4"	3/8"	1/2"	3/4"	1"	1 1/4"	1 1/2"	2"

4	BONNET	ASTM A351 CF8M	1
3	GASKET	PTFE	1
2	SCREEN	ANSI 316	1
1	BODY	ASTM A351 CF8M	1
NO.	PART NAME	MATERIAL	Q' TY
SUPPLY STATUS			
PAGE 1 OF 2			
Y-Type Strainer			
ETG-YS1			



DN	SIZE	d	L	H	W	d <sub>1</sub>	KG
DN65	2-1/2"	61	167	117	2	1	2.99
DN80	3"	75	198	137	2	1	4.74
DN100	4"	94	238	163	2	1	7.88

ITEM	PART	MATERIAL	QTY.
1	Body	CF8M	1
2	Screen	SS316	1
3	Joint Gasket	PTFE	1
4	Bonnet	CF8M	1



- Tech. data:**
- Design and inspection code: EN12516-1/-2, EN12266-1;
  - The main material: according to PED97/23/EC Annex1, Par.4.3 and 3.1 certificates;
  - Design pressure: 800PSI(PN40);
  - Working temperature: -25°C ~ +180°C;
  - Applicable fluid: water, gas, oil;
  - Thread Ends: ANSI B2.1, BS21, DIN259/2999;
  - Pressure Test: EN12266-1, API598;
  - € marking only for the size DN32~ DN100;
  - Making: see marking drawing.

				MATERIAL	CF8M	G.C. SUPPLIES UK LIMITED
				QUANTITY		
				SCALE		PRODUCTS NAME
				WEIGHT		
				SUPPLY STATUS		PART NAME
MARK	REVISED		SIGN	DATE:		ETG-YS1
DESIGNED	高亚忠	2014.03.17	REVIEWED	宗城辉		
APPROVED	宗城辉	2014.03.17	DATE:	2014.03.18		
PAGE 2 OF 2						