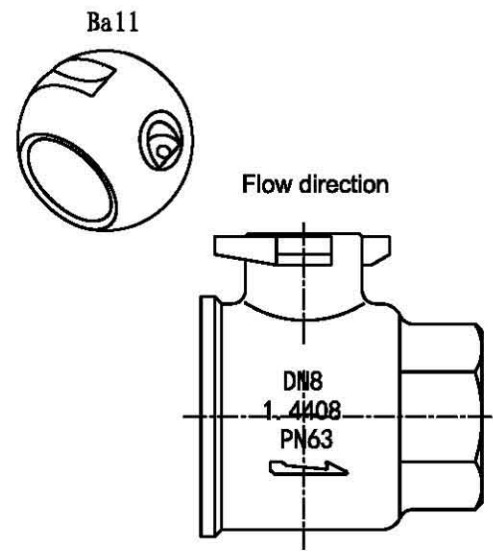


**ANSI 1000WOG DIMENSION TABLE** Unit:mm

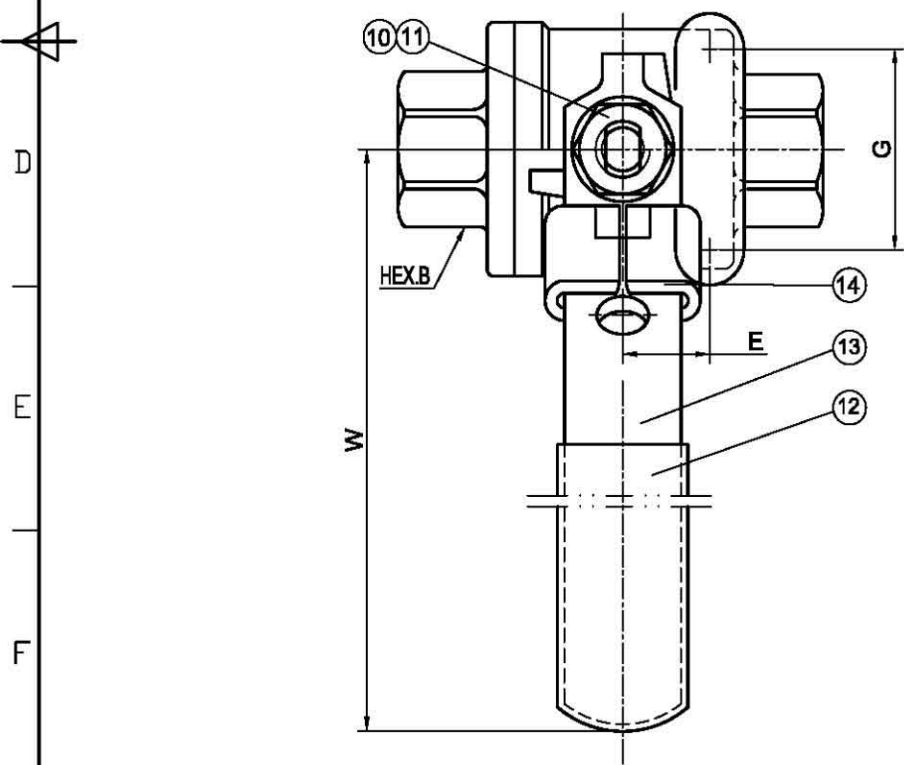
SIZE	Ød	L	H	W	E	G	HEX.B	ØDN
1/4"	10.6	58	58	100	12.7	28.5	23.5	NPT
3/8"	12	58	58	100	12.7	28.5	23.5	
1/2"	15	62	58	100	12.7	28.5	25	
3/4"	20	72.4	64	129	22	34.8	32	BSP
1"	25	85	77	156	22	34.8	41	PT
1-1/4"	32	94	83	156	23.6	38.1	50	DIN
1-1/2"	38	105	96	182.5	23.6	38.1	56	
2"	50	125	102	182.5	23.6	38.1	70	etc.
2-1/2"	63.5	155	129	252	35	65	83	
3"	76	173	138.5	252	35	65	102	

★ These holes: Size 1/4"-2" diameter is Ø2 and Size 2 1/2"-3" diameter is Ø3



**MATERIAL OF CONSTRUCTION**

NO.	PART NAME	MATERIALS		
		CF8M	CF8	WCB
1	Body	CF8M	CF8	WCB
2	End Cap	CF8M	CF8	WCB
3	Ball	CF8M	CF8	
4	Body Seat	PTFE		
5	Stem	SUS316		
6	Body Gasket	PTFE		
7	Thrust Washer	PTFE		
8	V-Ring Packing	PTFE		
9	Gland Nut	SUS304		
10	Stem Nut	A194-8		
11	Locking Device	SUS304		
12	Handle Sleeve	VINYL PLASTIC		
13	Handle	SUS304		
14	Locking Device	SUS304		



Mark	Amount	Subarea	Revision NO.	Signature	Date
Drawing	DD.Cai		14/05/08	Recheck	
Design					
Check	HM.Huang		14/05/08		
Standardization				Approve	

1/4&3" 1000WOG 2PC Thread Ball Valve Assembly Drawing KV-020 (G.C.S)	Material NO.	902061□□1004650
	Draw. NO.	902061□□1004650

Projection	Material	Edition	0
Proportion	Weight	Page of	

**NTC KV-020R**