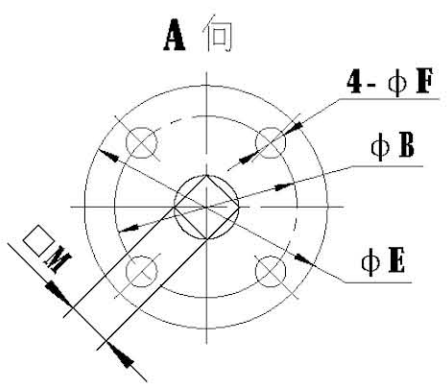


NTC B/FLY-SS		
NO	DESCRIPTION	MATERIAL
1	Body	CF8M
2	Disc	CF8M
3	Stem	SS416
4	Seat	PTFE
5	Bushing	PTFE
6	"O"Ring	EPDM
7	Lever	SS304
8	Position handle	SS304
9	Pin	SS316



DN	H1	H2	H3	L	φ A	φ E	φ B	φ F	□ M	DIN PN10		DIN PN16		ANSI B16.1		JIS 10K	
										φ C	n-φ	φ C	n-φ	φ C	n-φ	φ C	n-φ
DN40	66	110	32	35	12.7	92	70	9	9	110	4-φ 18	110	4-φ 18	98.5	4-φ 16	105	4-φ 19
DN50	70	128	32	45	12.7	92	70	9	9	125	4-φ 18	125	4-φ 18	120.65	4-φ 19	120	4-φ 19
DN65	75	136	32	48	12.7	92	70	9	9	145	4-φ 18	145	4-φ 18	139.7	4-φ 19	140	4-φ 19
DN80	94	143	32	49	12.7	92	70	9	9	160	4-φ 18	160	8-φ 18	152.4	4-φ 19	150	8-φ 19
DN100	106	163	32	55	15.8	92	70	9	11	180	8-φ 18	180	8-φ 18	190.5	8-φ 19	175	8-φ 19
DN125	119	187	32	58	19.05	92	70	9	14	210	8-φ 18	210	8-φ 18	215.9	8-φ 22.4	210	8-φ 23
DN150	139	203	32	59	19.05	92	70	9	14	240	8-φ 23	240	8-φ 23	241.3	8-φ 22.4	240	8-φ 23
DN200	165	237	36	64	22.2	125	102	11	17	295	8-φ 23	295	12-φ 23	298.45	8-φ 22.4	290	12-φ 23
DN250	202	283	36	70	28.6	125	102	11	22	350	12-φ 23	355	12-φ 27	361.95	12-φ 25.4	355	12-φ 25
DN300	241	312	36	80	31.8	150	125	13	22	400	12-φ 23	410	12-φ 27	431.8	12-φ 25.4	400	16-φ 25

G.C. SUPPLIES UK LTD
 TEL:+44 (0) 161-681-8114
 FAX:+44 (0) 161-947-0148